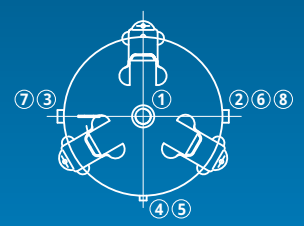
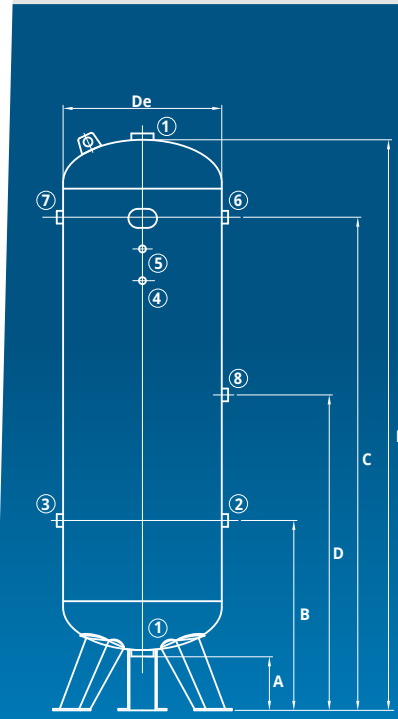


# 11-12-16 BAR GALVANIZED VERTICAL AIR VESSELS

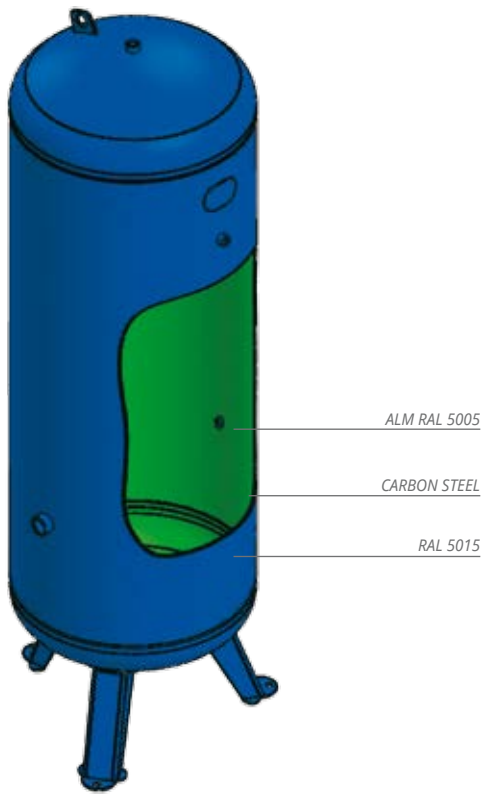


<b>DIRECTIVE</b>	<b>2014/29/UE</b>	<b>2014/68/UE (PED)</b>
<b>OPERATING PRESSURE</b>	<b>11/16 BAR</b>	<b>12/16 BAR</b>
<b>OPERATING TEMPERATURE</b>	<b>-10 +100°C</b>	<b>-10 +50°C</b>

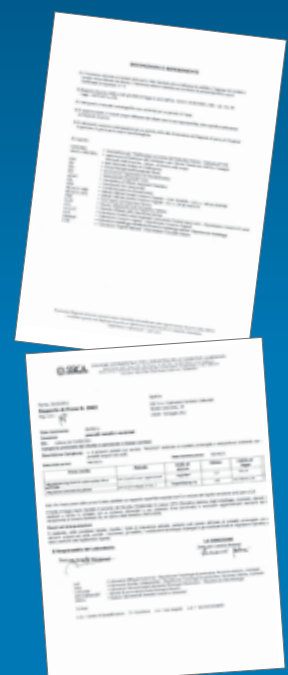
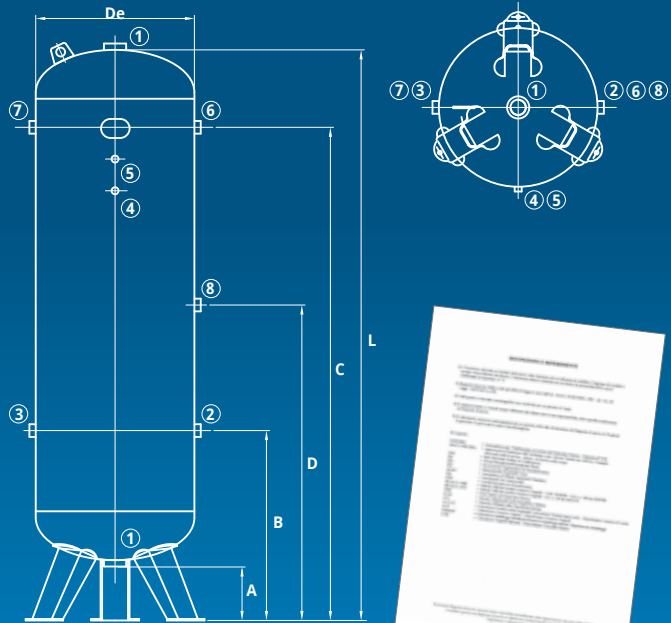
- MATERIAL: CARBON STEEL SUITABLE FOR GALVANIZATION
- FLUID CONTENT: COMPRESSED AIR / NITROGEN (GROUP 2)
- FINISHING: INTERNAL AND EXTERNAL HOT-DIP GALVANIZATION

CODE	Directive	Capacity	Operating pressure	De	A	B	C	D	L	1	2	3	4	5	6	7	8	Weight
GALVANIZED		Lt	Bar	mm	mm	mm	mm	mm	mm	inch	inch	inch	inch	inch	inch	inch	inch	Kg
VEC02472	2014/29/UE	90	11	370	180	348	968	-	1126	2"	3/4"	-	3/8"	3/8"	-	3/4"	-	30
VEC00901	2014/29/UE	100	11	370	170	355	1055	-	1213	2"	3/4"	-	3/8"	3/8"	-	3/4"	-	32
VEC00908	2014/29/UE	200	11	446	170	400	1225	-	1557	2"	1"	-	3/8"	3/8"	-	1"	-	57
VEC00909	2014/29/UE	270	11	500	170	599	1304	-	1648	2"	1"	1"	-	3/8"	1"	-	-	70
VEC00906	2014/29/UE	500	11	600	155	785	1665	-	2050	2"	2"	2"	-	3/8"	2"	2"	-	119
VEC00907	2014/29/UE	720	11	750	135	880	1705	-	2030	2"	2"	2"	3/8"	3/8"	2"	2"	-	181
VEC00512	2014/29/UE	900	11	800	145	875	1805	-	2140	2"	1"1/2"	1"1/2"	3/8"	3/8"	1"1/2"	1"1/2"	-	198
VEC00519	2014/68/UE (PED)	1000	12	800	145	770	1720	-	2350	2"	2"	2"	3/8"	3/8"	2"	2"	-	214
VEC00526	2014/68/UE (PED)	1500	12	1000	170	680	1780	-	2305	2"	2"	2"	1/2"	1/2"	2"	2"	-	325
VEC00529	2014/68/UE (PED)	2000	12	1100	200	770	1970	-	2490	2"	2"	2"	1/2"	1/2"	2"	2"	-	394
VEC02276	2014/68/UE (PED)	2000	12	1100	200	770	1970	-	2490	2"	3"	3"	1/2"	1/2"	3"	3"	-	396
VEC00536	2014/68/UE (PED)	3000	12	1200	140	830	2250	1540	2990	2"	2"	2"	1/2"	1/2"	2"	2"	2"	600
VEC01368	2014/68/UE (PED)	3000	12	1200	140	830	2250	1540	2990	2"	3"	3"	1/2"	1/2"	3"	3"	3"	604
VEC00900	2014/29/UE	270	16	500	170	599	1304	-	1648	2"	1"	1"	-	3/8"	1"	-	-	104
VEC00500	2014/29/UE	500	16	600	155	785	1665	-	2050	2"	2"	2"	-	3/8"	2"	2"	-	149
VEC00402	2014/68/UE (PED)	1000	16	800	150	770	1720	-	2350	2"	2"	2"	3/8"	3/8"	2"	2"	-	249
VEC02278	2014/68/UE (PED)	1500	16	1000	170	680	1780	-	2305	2"	2"	2"	1/2"	1/2"	2"	2"	-	428
VEC00533	2014/68/UE (PED)	2000	16	1000	170	770	2185	-	2740	2"	2"	2"	1/2"	1/2"	2"	2"	-	455
VEC00538	2014/68/UE (PED)	3000	16	1200	140	830	2250	1540	2990	2"	2"	2"	1/2"	1/2"	2"	2"	2"	635

# VERTICAL AIR VESSELS WITH INTERNAL ALM PAINT



<b>DIRECTIVE</b>	<b>2014/29/UE</b>	<b>2014/68/UE (PED)</b>
<b>OPERATING PRESSURE</b>	<b>11/16 BAR</b>	<b>12/16 BAR</b>
<b>OPERATING TEMPERATURE</b>	<b>-10 +100°C</b>	<b>-10 +50°C</b>



- MATERIAL: CARBON STEEL
- FLUID CONTENT: COMPRESSED AIR / NITROGEN (GROUP 2)
- FINISHING: EXTERNAL RAL 5015 BLUE PAINT (STANDARD) AND INTERNAL RAL 5005 CORROSION-RESISTANT ALM PAINT

CODE	Directive	Capacity	Operating pressure	De	A	B	C	D	L	1	2	3	4	5	6	7	8	Weight
ALM		Lt	Bar	mm	mm	mm	mm	mm	mm	inch	inch	inch	inch	inch	inch	inch	inch	Kg
VEC01385	2014/29/UE	100	11	370	180	355	1055	-	1213	2"	3/4"	-	3/8"	3/8"	-	3/4"	-	29
VEC01127	2014/29/UE	150	11	396	170	385	1210	-	1430	2"	1"	-	3/8"	3/8"	-	1"	-	44
VEC01126	2014/29/UE	200	11	446	170	400	1225	-	1557	2"	1"	-	3/8"	3/8"	-	1"	-	55
VEC01125	2014/29/UE	270	11	500	170	599	1304	-	1648	2"	1"	1"	-	3/8"	1"	-	-	67
VEC01118	2014/29/UE	500	11	600	155	785	1665	-	2050	2"	2"	2"	-	3/8"	2"	2"	-	116
VEC01119	2014/29/UE	720	11	750	135	880	1705	-	2030	2"	2"	2"	3/8"	3/8"	2"	2"	-	178
VEC01116	2014/68/UE (PED)	1000	12	800	145	770	1720	-	2350	2"	2"	2"	3/8"	3/8"	2"	2"	-	210
VEC01121	2014/68/UE (PED)	1500	12	1000	170	680	1780	-	2305	2"	2"	2"	1/2"	1/2"	2"	2"	-	320
VEC01122	2014/68/UE (PED)	2000	12	1100	200	770	1970	-	2490	2"	2"	2"	1/2"	1/2"	2"	2"	-	388
VEC01123	2014/68/UE (PED)	3000	12	1200	140	830	2250	1540	2990	2"	2"	2"	1/2"	1/2"	2"	2"	2"	594
VEC02318	2014/29/UE	100	16	370	180	355	1055	-	1213	2"	3/4"	-	3/8"	3/8"	-	3/4"	-	40
VEC01935	2014/29/UE	270	16	500	175	599	1304	-	1648	2"	1"	1"	-	3/8"	1"	-	-	101
VEC02279	2014/29/UE	500	16	600	155	785	1665	-	2050	2"	2"	2"	-	3/8"	2"	2"	-	145
VEC02310	2014/68/UE (PED)	1000	16	800	145	770	1720	-	2350	2"	2"	2"	3/8"	3/8"	2"	2"	-	245
VEC02143	2014/68/UE (PED)	2000	16	1000	170	770	2185	-	2740	2"	2"	2"	1/2"	1/2"	2"	2"	-	450