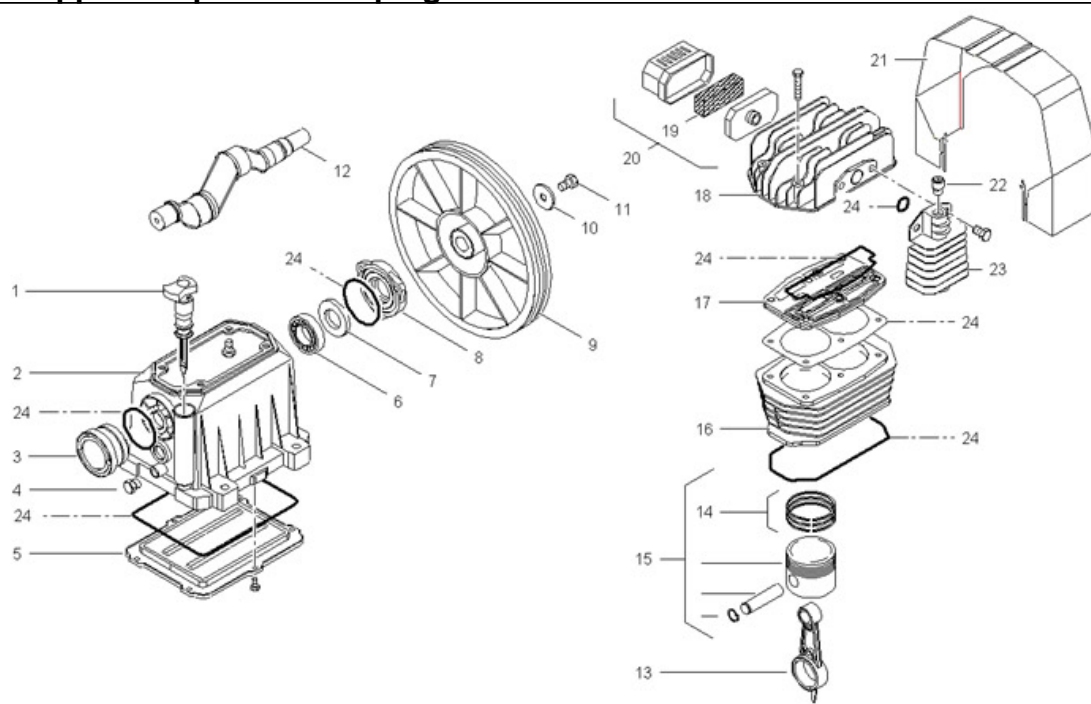




Codice Prodotto / Part No.:	<b>872QA3Q604</b>
Modello / Model:	<b>MK103-90-3M</b>
Raggruppamento / Groupage:	<b>Compressori / Compressors</b>
Famiglia / Family:	<b>coassiali / traino cinghia / coaxial / belt-driven</b>
Tipo / Type:	<b>0-100 lt</b>
Marchio / Brand:	<b>FINI</b>
V/Ph / Hz:	<b>230/1/50</b>
Validità / Validity:	<b>01/09/2009</b>

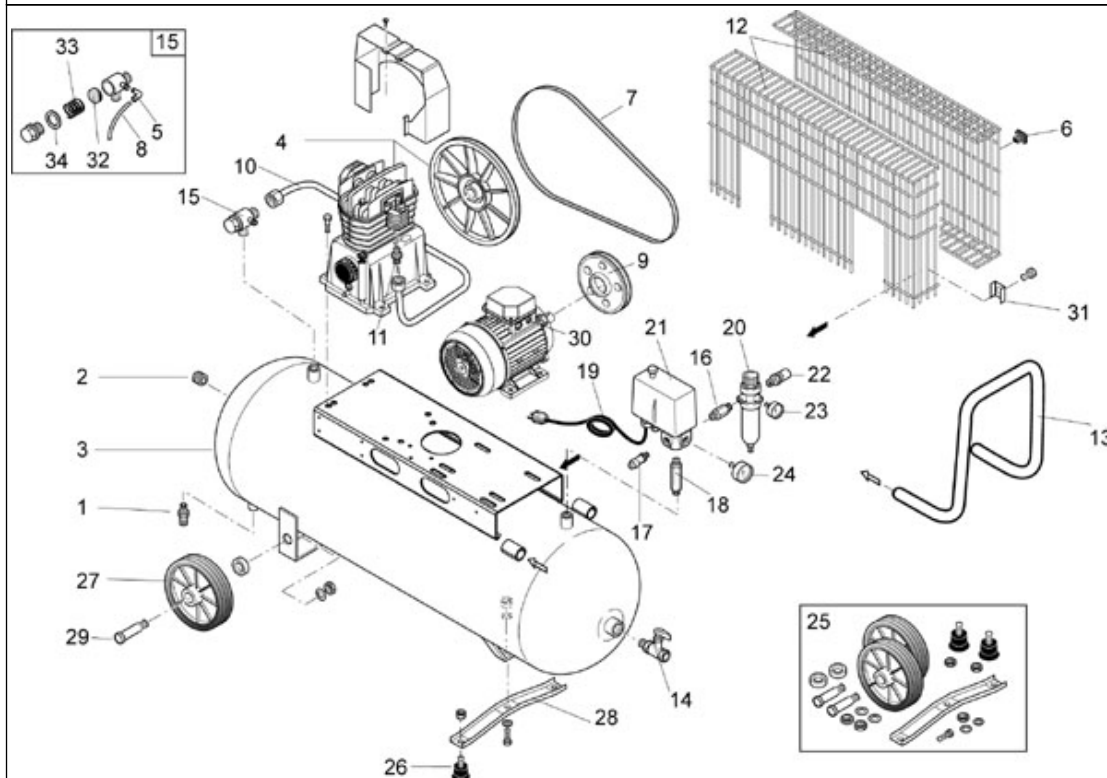
## Gruppo Pompante / Pumping units



### Distinta / Spare parts lists

Rif / Ref	Codice / Code	Descrizione	Description	Q.tà / Q.ty	Cons. / Sugg.
1	012036000	ASTA OLIO ALS20X109 92/5 TIPO NUOVO	DIPSTICK ALS 20X100	1	1
2	113167001	CARTER MK103 -	CASING MK103	1	1
3	113149009	COPERCHIO POSTERIORE MK92-103#	REAR COVER	1	1
4	014013084	VITE M8X20 UNI5739-8.8		3	3
5	113149015	COPERCHIO INFERIORE CARTER MK92#	CRANKCASE REAR COVER	1	1
6	033027000	CUSCINETTO 6205	BEARING 6205	1	1
7	010053000	ANELLO DI TENUTA 2535/7	SEAL RING 2535/7	1	1
8	113149008	COPERCHIO ANTERIORE MK92	FRONT COVER MK92	1	1
9	013160010	VOLANO MK94-92	FLY WHEEL MK94-92 NEW	1	1
10	014005001	RONDELLA 9,2X36X4	WASHER 9X36X4	1	1
11	113160011	VTE M8SINISTRAX18 TRATT.DRY-LOCK	SCREW M8 X18 LEFT DRY LOCK	1	1
12	113167003	ALBERO A GOMITO MK103#	CRANKSHAFT MK103	1	1
13	113150004	BIELLA MK93 - -	MK93 CONNECTING ROD	2	2
14	213167001	KIT SEGMENTI MK103	SET OF RINGS MK103	1	1
15	413167006	PISTONE COMPLETO MK103	COMPLETE PISTON P1225 O.C	1	1
16	113167002	CILINDRO MK103 - # -	CYLINDER	1	1
17	413167005	PIASTRA PORTAVALV.COMPL.MK103	COMPL.VALVE PLATE MK103	1	1
18	013167020	FAP TESTA MK103#		1	1
19	017003000	ELEMENTO FILTRANTE CM410	FILTER CARTRIDGE CM410	1	1
20	317001000	FILTRO ASPIRAZIONE CM 410	INTAKE FILTER CM410	1	1
21	113150002	CONVOGLIATORE MK92-93#	CONVEYOR	1	1
22	011158000	VALVOLA AUTOMATICA SCARICO G1/4-2,2 16.1	AUTOMATIC BLEED VALVE G1/4 16.1030	1	1
23	116091024	COLLETTORE FINALE MK255 FORO G1/4	TERMINAL MANIFOLD MK255 G1/4 HOLE	1	1
24	213167002	KIT GUARNIZIONI MK103	GASKETS SET MK103	1	6

## Serbatoio aria / Air tank



### Distinta / Spare parts lists

Rif / Ref	Codice / Code	Descrizione	Description	Q.tà / Q.ty	Cons. / Sugg.
1	022026000	RUBIN.SCARICO.COND.G3/8	DRAIN COCK. G3/8	1	1
2	111008000	TAPPO GC1/2 ACC.CH10 TRATT.DRY LOC 2040	PLUG R1/2 DRISEAL LOC 2040	1	1
3	172110001V	SERB.L90-B510 D370/11 CE FASC.700		1	-
4	5131670510	COMP.MK103 + IMB.SINGOLO (1PZ)		1	-
5	011289000	RACC.AUTOM.L R1/8MX6	L FITTING M R1/8X6	1	-
6	020025000	TASSELLI RT3 PER PARACINGHIA RT86 999183	PLASTIC DOWEL FOR GUARD-BELT	4	-
7	045082000	CINGHIA TRAPEZOIDALE A46	V BELT A46	1	6
8	046001000	TUBO 6X4 RILSAN CALIBRATO	RILSAN HOSE 6X4	0,8	2
9	140289004	PULEGGIA 120-A-24	PULLEY 120-A-24	1	-
10	172QA0001	TUBO MANDATA ALL.MK103-90/200L		1	2
11	199021000	NIPPLO MANDATA G1/2 ZINC.	NIPPLE FOR AIR FEED PIPE G1/2	1	-
12	199140647	PARACINGHIA SKM11-13/ MK102-103 2PZ		1	-
13	199426000	MANICO SERBATOIO L50-300 PLASTIFIC.	HANDLE FOR 50-300 L. TANK	1	-
14	322050000	RUBIN.LINEA A SFERA G1/2 MF(M/CON.)FIV	LINE COCK G12 MF	1	-
15	347136000	VALV.RITEGNO MM 1/2X1/2 VITON (SBP)		1	1
16	011017000	NIPPLO GC1/4X1/4 .GIALLO	NIPPLE GC1/4X1/4 BRASS	1	-
17	047206000	VALV.SIC.G1/4 T10 PED+ANELLO+CERT.IV CAT	SAFETY VALVE .G1/4 T10 PED	1	-
18	117GH0025	NIPPLO SPEC.G3/8X1/4 TIGER MW SCHN.	SPECIAL NIPPLE G3/8X1/4 TIGER MW SCHN.	1	-
19	164A04400	CAVO 3X1,5 SCHUKO H05 RRF DIR.CE	POWER CABLE 3X1,5 SCHUKO H05 RRF DIR.CE	1	-
20	319042000	RIDUTT.PRESS.G1/4 MW FR-BIT 1/4	PRESSURE REDUCER G1/4 MW FR-BIT 1/4	1	1
21	321028000	PRESS.4115/2 NEMA/P 4 VIE 1/4C/P BIP	PRESSURE SWITCH 4115/2 NEMA/P 4 VIE 1/4C	1	1
22	322030000	RUBIN.2080/1 RAP. G1/4M UNIV. S/RESCA	QUICK TAP G1/4M ART. 22GAV	1	-

23	330006000	MANOM.3300/1 D.40 0-12 BAR- POST.1/8	PRESSURE GAUGE 40-12 BAR-PSI BACK COUP	1	4
24	330007000	MANOM.50-16/10 BAR-PSI ATT.P.GC1/4	PRESSURE GAUGE 50-16/10 BAR-PSI REAR	1	4
25	470TH0010	KIT MTG.RUOTE ADVANCE L50 102-103	WHEELS MOUNTING KIT ADVANCED L50 102-10	1	6
26	020004000	ANTIVIBR.VENTOSA	VIBRATION DAMPER WARRIOR CSA	2	-
27	020224000	RUOTA 200X57X14 SERIE SR	WHEEL 200X57X14 SERIE SR#	2	-
28	170QH0003	STAFFA SUPP.ANTIVIBR.ADVANCE	VIBRATION DAMPER SUPPORT ADVANCED	1	-
29	176QA0001	PERNO RUOTA SERB.L200 ADVANCE	WHEEL SPINDLE L200 ADVANCED	2	-
30	540E150605	MOT.EL.VEF90 CV3M ECO 220-230 50HZ.	EL.MOT.VEF90 CV3M ECO 220-230 50HZ.	1	-
31	014005007	ROND.QUADRATA FORO 6 ZINC.999166	SQUARE WASHER - HOLE 7	4	-
32	047113001	ELEMENTO DI TENUTA V.R.D15X7 (FQL)NBR	SEAL FOR NON-RETURN VALVE G1/2X3/8	1	8
33	047113002	MOLLA CONICA V.R. G1/2X3/8 MF	TAPERED SPRING FOR NON-RETURN VALVE G1/2	1	-
34	010041000	ANELLO OR 2075 VITON	O RING 2075 VITON	1	-