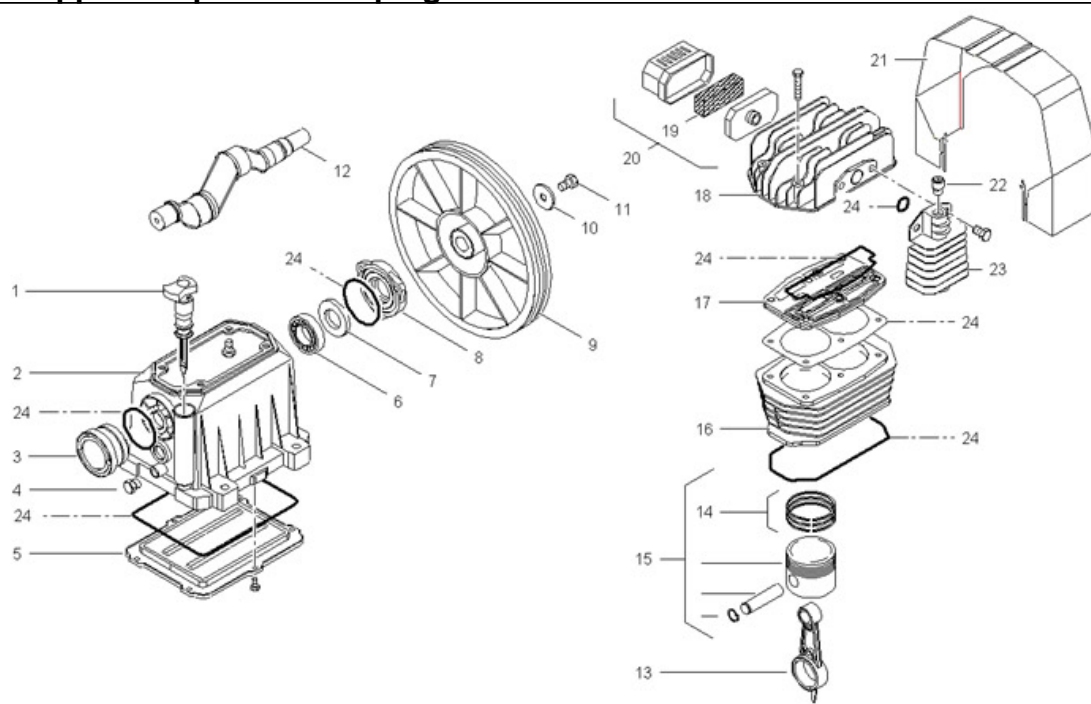




Codice Prodotto / Part No.:	870QA3Q722
Modello / Model:	MK103-50-3
Raggruppamento / Groupage:	Compressori / Compressors
Famiglia / Family:	coassiali / traino cinghia / coaxial / belt-driven
Tipo / Type:	0-100 lt
Marchio / Brand:	FINI
V/Ph / Hz:	400/350
Validità / Validity:	01/09/2009

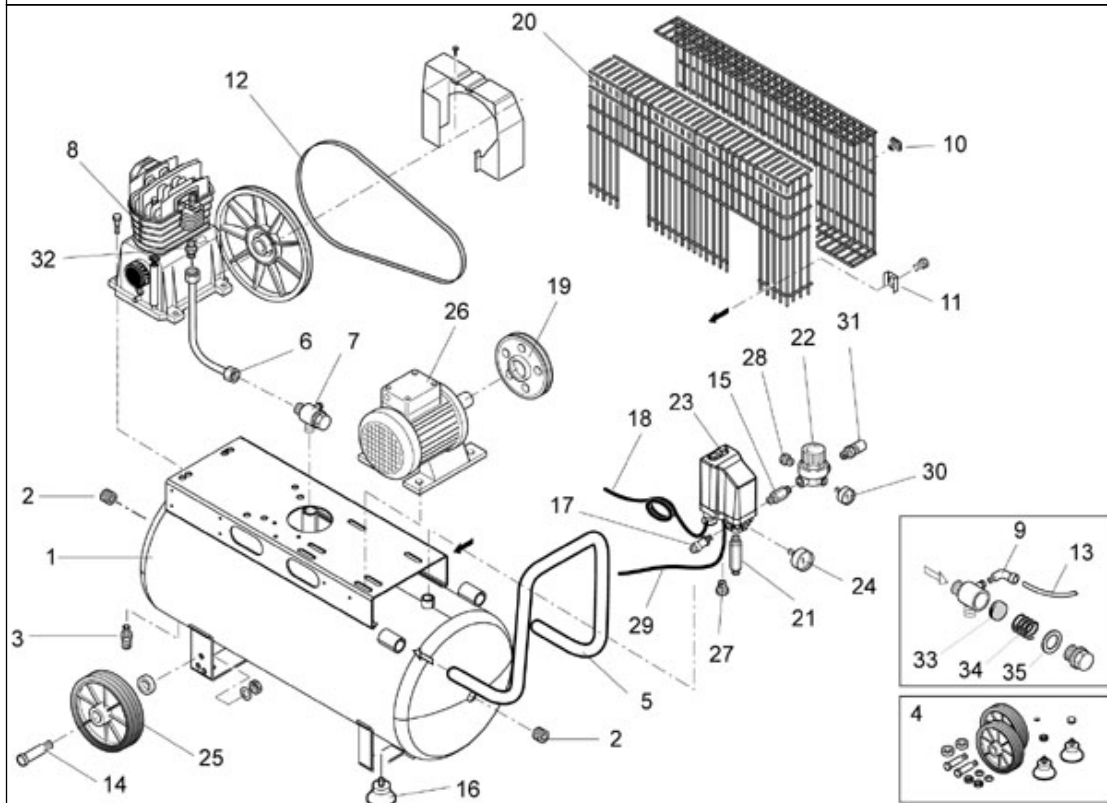
Gruppo Pompante / Pumping units



Distinta / Spare parts lists

Rif / Ref	Codice / Code	Descrizione	Description	Q.tà / Q.ty	Cons. / Sugg.
1	012036000	ASTA OLIO ALS20X109 92/5 TIPO NUOVO	DIPSTICK ALS 20X100	1	1
2	113167001	CARTER MK103 -	CASING MK103	1	1
3	113149009	COPERCHIO POSTERIORE MK92-103#	REAR COVER	1	1
4	014013084	VITE M8X20 UNI5739-8.8		3	3
5	113149015	COPERCHIO INFERIORE CARTER MK92#	CRANKCASE REAR COVER	1	1
6	033027000	CUSCINETTO 6205	BEARING 6205	1	1
7	010053000	ANELLO DI TENUTA 2535/7	SEAL RING 2535/7	1	1
8	113149008	COPERCHIO ANTERIORE MK92	FRONT COVER MK92	1	1
9	013160010	VOLANO MK94-92	FLY WHEEL MK94-92 NEW	1	1
10	014005001	RONDELLA 9,2X36X4	WASHER 9X36X4	1	1
11	113160011	VTE M8SINISTRAX18 TRATT.DRY-LOCK	SCREW M8 X18 LEFT DRY LOCK	1	1
12	113167003	ALBERO A GOMITO MK103#	CRANKSHAFT MK103	1	1
13	113150004	BIELLA MK93 - -	MK93 CONNECTING ROD	2	2
14	213167001	KIT SEGMENTI MK103	SET OF RINGS MK103	1	1
15	413167006	PISTONE COMPLETO MK103	COMPLETE PISTON P1225 O.C	1	1
16	113167002	CILINDRO MK103 - # -	CYLINDER	1	1
17	413167005	PIASTRA PORTAVALV.COMPL.MK103	COMPL.VALVE PLATE MK103	1	1
18	013167020	FAP TESTA MK103#		1	1
19	017003000	ELEMENTO FILTRANTE CM410	FILTER CARTRIDGE CM410	1	1
20	317001000	FILTRO ASPIRAZIONE CM 410	INTAKE FILTER CM410	1	1
21	113150002	CONVOGLIATORE MK92-93#	CONVEYOR	1	1
22	011158000	VALVOLA AUTOMATICA SCARICO G1/4-2,2 16.1	AUTOMATIC BLEED VALVE G1/4 16.1030	1	1
23	116091024	COLLETTORE FINALE MK255 FORO G1/4	TERMINAL MANIFOLD MK255 G1/4 HOLE	1	1
24	213167002	KIT GUARNIZIONI MK103	GASKETS SET MK103	1	6

Serbatoio aria / Air tank



Distinta / Spare parts lists

Rif / Ref	Codice / Code	Descrizione	Description	Q.tà / Q.ty	Cons. / Sugg.
1	170121001V	SERB.L50- B510 D285/10BAR		1	-
2	111008000	TAPPO GC1/2 ACC.CH10 TRATT.DRY LOC 2040	PLUG R1/2 DRISEAL LOC 2040	2	-
3	022026000	RUBIN.SCARICO.COND.G3/8	DRAIN COCK. G3/8	1	2
4	470QH0012	KIT MTG.RUOTE ADV L50 B510		1	2
5	168IQ0002	MANICO SERB.TIGER-STIGER		1	-
6	170QA0005	TUBO MANDATA ALL.MK103-50 B510	DELIVERY PIPE MK103-50 B510	1	2
7	347136000	VALV.RITEGNO MM 1/2X1/2 VITON (SBP)		1	1
8	5131670200	COMP.MK103		1	-
9	011289000	RACC.AUTOM.L R1/8MX6	L FITTING M R1/8X6	1	-
10	020025000	TASSELLI RT3 PER PARACINGHIA RT86 999183	PLASTIC DOWEL FOR GUARD-BELT	4	-
11	014005007	ROND.QUADRATA FORO 6 ZINC.999166	SQUARE WASHER - HOLE 7	4	-
12	045135000	CINGHIA TRAPEZOIDALE A45	V BELT A45	1	6
13	046001000	TUBO 6X4 RILSAN CALIBRATO	RILSAN HOSE 6X4	0,5	2
14	176QA0001	PERNO RUOTA SERB.L200 ADVANCE	WHEEL SPINDLE L200 ADVANCED	2	-
15	199384000	NIPPLO SPEC.GC1/4X45	SPECIAL NIPPLE GC1/4X45	1	-
16	020004000	ANTIVIBR.VENTOSA	VIBRATION DAMPER WARRIOR CSA	2	-
17	047206000	VALV.SIC.G1/4 T10 PED+ANELLO+CERT.IV CAT	SAFETY VALVE .G1/4 T10 PED	1	-
18	199001001	CAVO ALIMENTAZIONE 4X1 (MAX 8A)	POWER CABLE 4X1 (MAX 8A)	1	-
19	140289004	PULEGGIA 120-A-24	PULLEY 120-A-24	1	-
20	199140647	PARACINGHIA SKM11-13/ MK102-103 2PZ		1	-
21	199110140	NIPPLO SPEC.G3/8X1/4 H49	NIPPLE	1	-
22	319216000	RIDUTT. PRESS1/4 S/RUB.CINA	PRESSURE REDUCER 1/4 S/RUB.	1	1
23	305213000	TP.NEMA ET2 4VIE 12 4-6,3 A 1/4" 2PULS	PRESSURE SWITCH NEMA ET2 4VIE 12 4-6,3 A	1	1

24	330007000	MANOM.50-16/10 BAR-PSI ATT.P.GC1/4	PRESSURE GAUGE 50-16/10 BAR-PSI REAR	1	-
25	020263000	RUOTA 150 X 57 X 14 SERIE SR	WHEEL 150 X 57 X 14	2	-
26	540E120618	MOT.EL.VEF90S 3HP 230/400-50HZ S1(CHINA)		1	-
27	011394000	RACC.AUTOM.DIR.1/8FX6	STRAIGHT FITTING DIR.1/8FX6	1	-
28	111001000	TAPPO R1/4 TRATTAMENTO DRISEAL 506	PLUG R1/4 DRISEAL 506	1	-
29	199001002	CAVO COLLEG.TP/MOTORE 4X1 (MAX.8A)		1	-
30	330006000	MANOM.3300/1 D.40 0-12 BAR- POST.1/8	PRESSURE GAUGE 40-12 BAR-PSI BACK COUP	1	4
31	322030000	RUBIN.2080/1 RAP. G1/4M UNIV. S/RESCA	QUICK TAP G1/4M ART. 22GAV	1	-
32	199021000	NIPPLO MANDATA G1/2 ZINC.	NIPPLE FOR AIR FEED PIPE G1/2	1	-
33	047113001	ELEMENTO DI TENUTA V.R.D15X7 (FQL)NBR	SEAL FOR NON-RETURN VALVE G1/2X3/8	1	8
34	047113002	MOLLA CONICA V.R. G1/2X3/8 MF	TAPERED SPRING FOR NON-RETURN VALVE G1/2	1	-
35	010041000	ANELLO OR 2075 VITON	O RING 2075 VITON	1	-