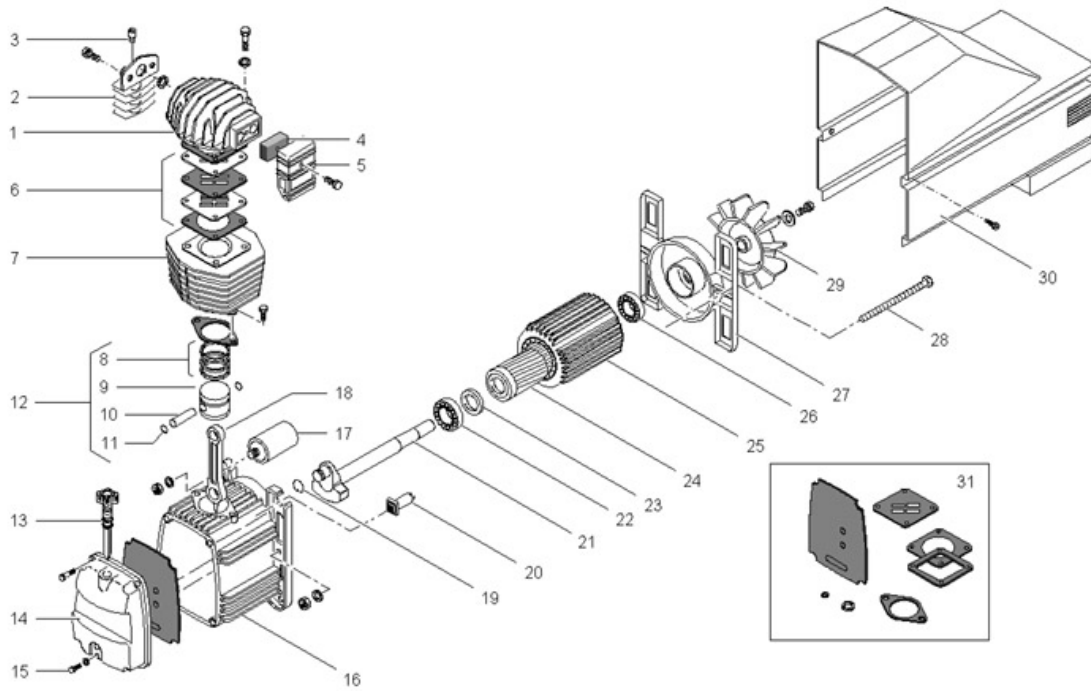




Codice Prodotto / Part No.:	602AG9A605
Modello / Model:	BIG PIONEER/I 312M
Raggruppamento / Groupage:	Compressori / Compressors
Famiglia / Family:	coassiali / traino cinghia / coaxial / belt-driven
Tipo / Type:	0-100 lt
Marchio / Brand:	FINI
V/Ph / Hz:	230/1/50
Validità / Validity:	01/05/2009

Gruppo Pompante / Pumping units

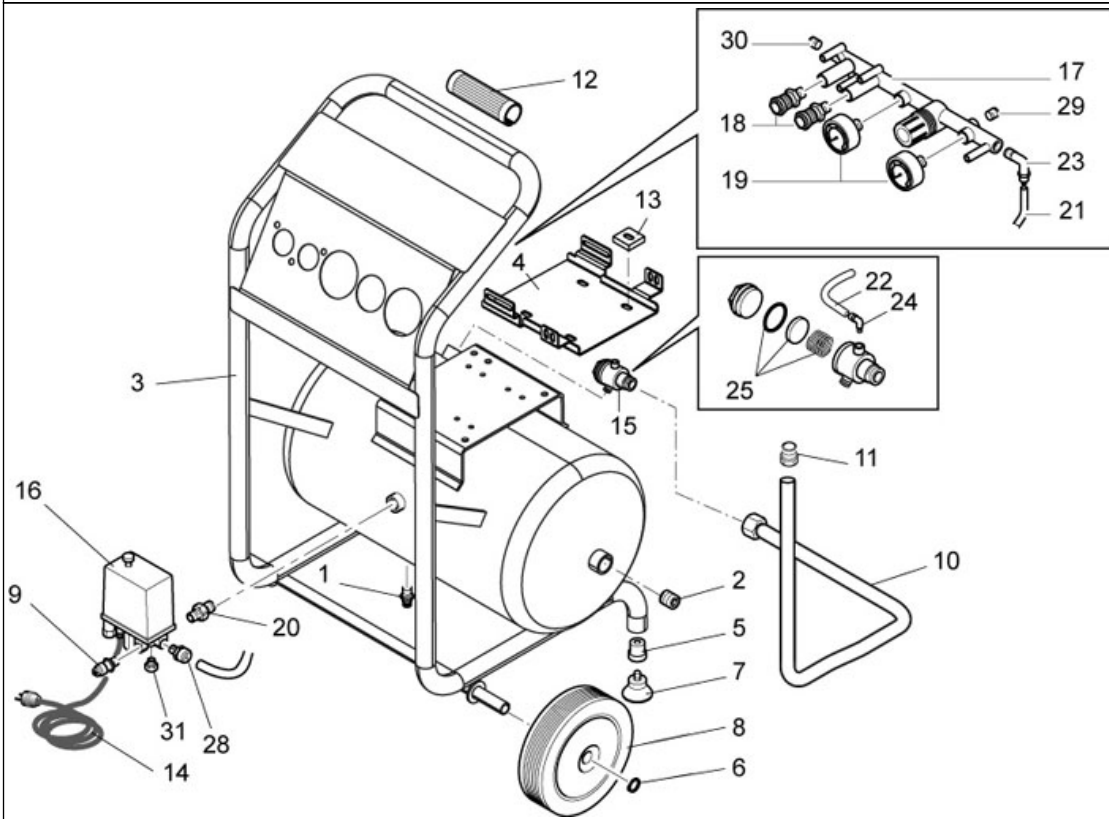


Distinta / Spare parts lists

Rif / Ref	Codice / Code	Descrizione	Description	Q.tà / Q.ty	Cons. / Sugg.
1	116091003	TESTA MK255	HEAD - MK255	1	-
2	116091024	COLLETTORE FINALE MK255 FORO G1/4	TERMINAL MANIFOLD MK255 G1/4 HOLE	1	-
3	011158000	VALVOLA AUTOMATICA SCARICO G1/4-2,2 16.1	AUTOMATIC BLEED VALVE G1/4 16.1030	1	2
4	116091018	ELEMENTO FILTRANTE MK255	FILTER CARTRIDGE - MK255	1	12
5	116091009	CORPO FILTRO ARIA MK255	AIR FILTER COVER - MK255	1	2
6	116091040	PIASTRA PORTAVALV.CPL.MK255 50HZ#	COMPLETE VALVES PLATE MK255	1	2
7	116002003	CILINDRO MK140/55	CYLINDER MK140/55	1	-
8	213115002	KIT SEGMENTI 55	SET OF PISTON RINGS - MK10	1	4
9	113115026	PISTONE 55 MK10 ALL.	PISTON 55 - MK10	1	-
10	113115025	SPINOTTO 13X46 D55	GUGDEON PIN 13X46 D55	1	-
11	015002000	ANELLO SEEGER 13 (D55)	SEEGER 13 D.55	2	-
12	413115026	PISTONE COMPL.MK10	COMPLETE PISTON - MK10	1	2
13	012043000	ASTA LIVELLO OLIO MK255/PULSAR	DIPSTICK MK255/PULSAR	1	2
14	016091002	FAP COPERCHIO CARTER MK255	MK255 CRANKCASE COVER	1	-
15	014013024	VTE M6X10 UNI 8111 TT F/RO ZINC.	SCREW M6X10	1	-
16	116091001	CARTER MK255 - -	CRANKCASE - MK255	1	-
17	116002004	BIELLA MK140 -	CON.ROD - MK140	1	2
18	009200026	COND.FILM450/40 D45X92+FAST.6,3 C8	CAPACITOR 360/40 D45X92+FAST.6,3 C8	1	-
19	015005000	ANELLO SEEGER E 20 UNI7435	SEEGER E20 UNI7435	1	-
20	008399000	MOTOPROT.MANUALE 10A ZING EAR	OVERLOAD SWITCH 10A ZING EAR	1	2
21	116091010	ALBERO A GOMITO MK255	CRANKSHAFT - MK255	1	-
22	033027000	CUSCINETTO 6205	BEARING 6205	1	-
23	010029000	ANELLO DI TENUTA 25X52X10 A	SEAL RING 25X52X10 A	1	-
24	034110000	ROTORE 65X80-28 CA SIL.MAGN-XM	ROTOR 65X80-18 CA SIL.MAGN-XM	1	-
25	416107605	CARC.AVV.MK312-3M 230-240/50	WOUND CASING MK312-3M 230-240/50	1	1
26	033118000	CUSCINETTO 6203-2Z-C3(174012)	BEARING 6203-2Z-C3	1	-
27	116011002	CALOTTA MK85 NEW	COVER FOR MK85 -NEW	1	-

28	116042020	VTE M6X150-20 MK235	SCREW M6X150-20 - MK235	2	-
29	116091005	VENTOLA ELICOIDALE MK255	HELICAL FAN - MK255	1	-
30	116091007	CARENATURA MK255 NERA	MOTOR HOUSING - MK255	1	-
31	216AG0001	KIT GUARNIZIONI MK312	GASTEK SET MK312	1	6

Serbatoio aria / Air tank



Distinta / Spare parts lists

Rif / Ref	Codice / Code	Descrizione	Description	Q.tà / Q.ty	Cons. / Sugg.
1	022026000	RUBIN.SCARICO.COND.G3/8	DRAIN COCK. G3/8	1	-
2	111008000	TAPPO GC1/2 ACC.CH10 TRATT.DRY LOC 2040	PLUG R1/2 DRISEAL LOC 2040	2	-
3	166120001V	SERB.SALD.L20 BIG PIONEER 10 BAR		1	-
4	105AG0001V	LAMIERA ATTACCO MOTORE MK312/V		1	-
5	012103000	TAPPO FIL. M8X ANTIVIBRANTI B.P.	PLUG FOR VIBRATION DAMPER	2	-
6	015029000	ANELLO SEEGER ALBERI SENZA CAVA E15	SEEGER E15	2	-
7	020004000	ANTIVIBR.VENTOSA	VIBRATION DAMPER WARRIOR CSA	2	4
8	020181000	RUOTA 175X45 DI.16.5 SL	WHEEL 175X45 DI.16.5 SL	2	4
9	047206000	VALV.SIC.G1/4 T10 PED+ANELLO+CERT.IV CAT	SAFETY VALVE .G1/4 T10 PED	1	-
10	102AG0002	TUBO MANDATA ALL.BIG PIONEER 312	DELIVERY TUBE BIG PIONEER 312	1	2
11	011100001	RACC.ESTREMITA' DIRITTO M R1/2X14+OGIVA	STRAIGHT FITTING R1/2X14+OLIVE	1	-
12	116022015	MANOPOLA APERTA PIONEER	HAND GRIP - PIONEER	1	-
13	199575000	ANTIVIBR.GRUPPO MK255	ANTIVIBRATING ELEMENT MK255	4	8
14	164A04400	CAVO 3X1,5 SCHUKO H05 RRF DIR.CE	POWER CABLE 3X1,5 SCHUKO H05 RRF DIR.CE	1	-
15	347062000	VALVOLA RITEGNO G1/2X1/2 MM	NON RETURN VALVE	1	1
16	321087000	PRESSOST.4 VIE 1/4BIP.CIN(8-10)	PRESSURE SWITCH 4 VIE 1/4	1	1
17	199HU0003	RIPARTITORE 4 VIE BIG PIONEER	4 WAYS AIR-DISTRIBUTION - BIG PIONEER	1	-
18	322053000	RUBIN.RAPIDO CPL.G1/4M UNIVERSAL	SNAP COCK CPL.G1/4M UNIVERSAL	2	-
19	330007000	MANOM.50-16/10 BAR-PSI ATT.P.GC1/4	PRESSURE GAUGE 50-16/10 BAR-PSI REAR	2	4
20	011080000	NIPPLO GC1/4X3/8 OTTONE	NIPPLE GC1/4X3/8	1	-
21	046003000	TUBO RILSAN D10	RILSAN HOSE D10	1	2
22	046001000	TUBO 6X4 RILSAN CALIBRATO	RILSAN HOSE 6X4	1	2

23	011343000	RACCORDO L M R1/4X10	ELBOW M R1/4X10	1	-
24	011055000	RACCORDO L M R1/8X6	L-SHAPED END COUPLING G1/8X6	1	-
25	247002000	KIT MANUT. VALV.RIT.347062000	MAINTENANCE SET NOT RETURN VALVE 3470620	1	8
28	B60505000	RACCORDO DIRITTO 1/4" 10X8	STRAIGHT JOINT 1/4" 10x8	1	-
29	011019000	TAPPO GC3/8 ACC.	STEEL CAP GC3/8	1	-
30	011364000	TAPPO G1/4 ESAG.INCASS.	PLUG G1/4 BRASS	1	-
31	111001000	TAPPO R1/4 TRATTAMENTO DRISEAL 506	PLUG R1/4 DRISEAL 506	1	-