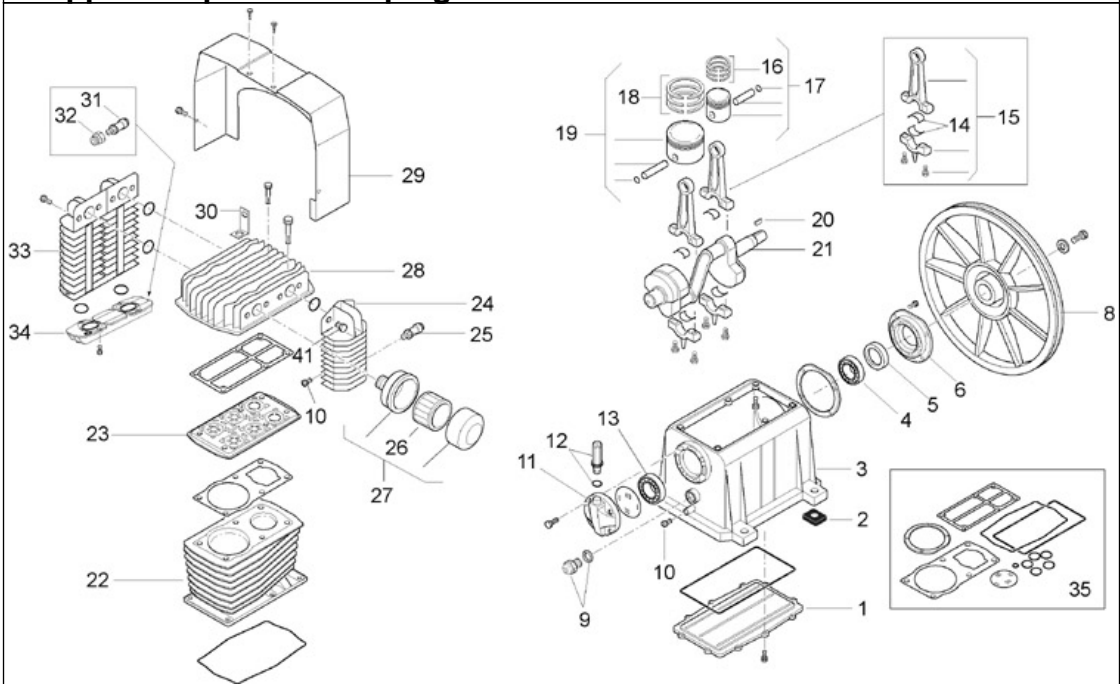




Codice Prodotto / Part No.:	883BW1A722
Modello / Model:	BK120-500F-10
Raggruppamento / Groupage:	Compressori / Compressors
Famiglia / Family:	coassiali / traino cinghia / coaxial / belt-driven
Tipo / Type:	> 270 lt
Marchio / Brand:	FINI
V/Ph / Hz:	400/3/50
Validità / Validity:	01/03/2010

Gruppo Pompante / Pumping units

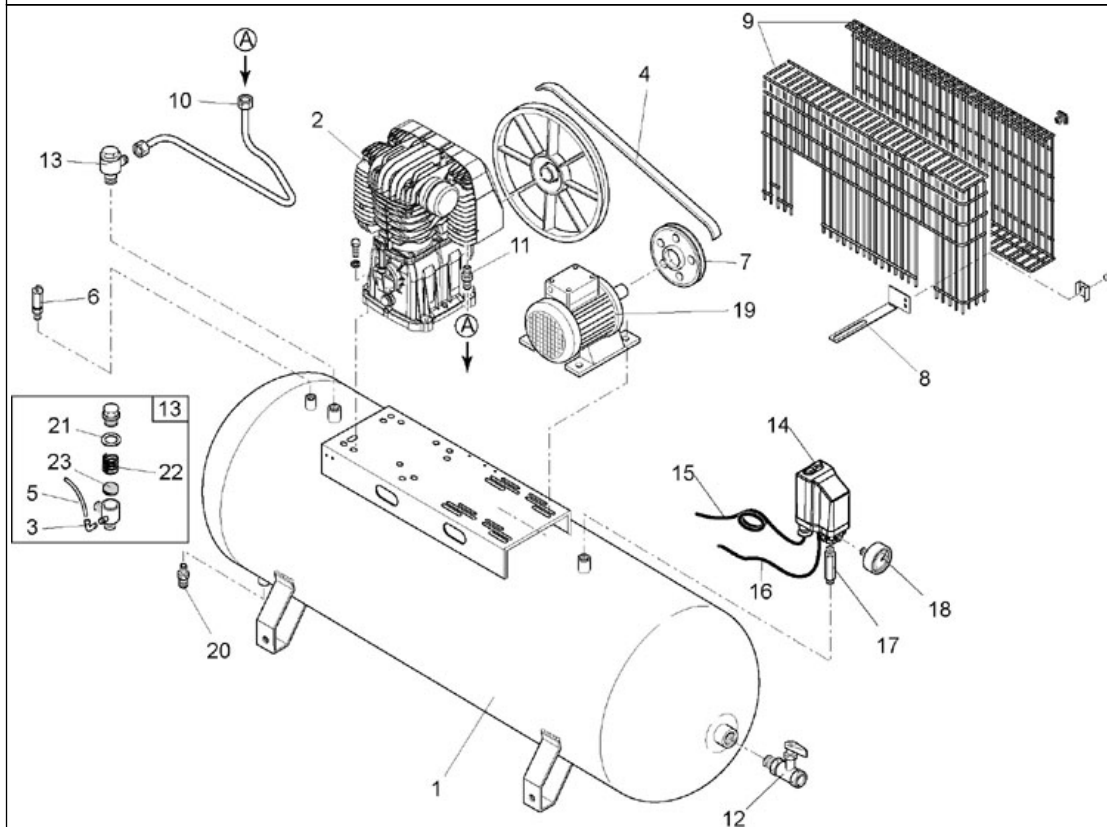


Distinta / Spare parts lists

Rif / Ref	Codice / Code	Descrizione	Description	Q.tà / Q.ty	Cons. / Sugg.
1	113153007	COPERCHIO INFERIORE BK19	LOWER COVER	1	-
2	113190009	ANTIVIBR.GRUPPO BK120	VIBRATION DAMPER BK120	4	8
3	113190001	CARTER BK120	CRANKCASE BK120	1	-
4	033036000	CUSCINETTO 6207 (357217)	BEARING 6207	1	-
5	010126000	ANELLO DI TENUTA 35X62X10	SEAL 35X62X10	1	-
6	113190003	SUPPORTO ANTERIORE BK120	FRONT SUPPORT BK120	1	-
8	113190011	VOLANO BK120 2 GOLE SPB (CINA)		1	-
9	012031000	SPIA LIV.OLIO CUPOLA LSB34 G3/4	OIL SIGHT GLASS G3/4	1	-
10	111001000	TAPPO R1/4 TRATTAMENTO DRISEAL 506	PLUG R1/4 DRISEAL 506	2	-
11	113141006	COPERCHIO POSTERIORE BK14	REAR COVER - BK14	1	-
12	212106000	TAPPO BK20/SPECIAL	SET FILLER TAP BK120+OR	1	2
13	033015000	CUSCINETTO 6206 (306216)	BEARING 6206	1	-
14	113139009	CUSCINETTO BIELLA VK25	CON.ROD BEARING - VK25	2	-
15	413146033	BIELLA COMPLETA BK20	BK20 COMPLETE CON.ROD	2	4
16	213177002	KIT SEGMENTI SKB26 AP		1	4
17	413177021	PISTONE COMPL.SKB26 AP	COMPLETE PISTON SKB26 AP	1	1
18	213177001	KIT SEGMENTI SKB26 BP		1	4
19	413177020	PISTONE COMPL.SKB26 BP		1	1
20	018010000	LINGUETTA A10X8X40 UNI6604-69 RETT.	FEATHER A10X8X40 UNI6604-69	1	-
21	113190004	ALBERO A GOMITO BK120	CRANKSHAFT BK120	1	-
22	113190002	CILINDRO BK120	CYLINDER BK120	1	-
23	413146019	PIASTRA PORTAVALVOLE BK20/BK120 COMPLETA	BK20/BK120 COMPLETE VALVE PLATE	1	2
24	113146010	COLLETTORE FINALE BK20	FINAL MANIFOLD - BK20	1	-
25	047002000	VALV.SICUREZZA G1/4 T16,5+CAPP.VITON	SAFETY VALVE G1/4 T16,5	1	-
26	017078000	ELEMENTO FILTR.FS10100V R.MC-SC	FILTER CARTRIDGE.MC-SC	1	12
27	317078000	FILTRO FS10100V.X R.MC	FILTER FS10100V.X R.MC	1	4
28	113146007	TESTA BK20	HEAD - BK20	1	-
29	113146018	CONVOGLIATORE BK20	CONVEYOR - BK20	1	-
30	113144012	GOLFARE MK13 ZINCATO	EYEBOLT MK13 ZINCATO	1	-

31	047086000	VALV.SIC.GC1/4 T6 PB+CAP.CORTA VITON	SAFETY VALVE	1	-
32	011031000	RIDUZIONE G1X1/4 GF241 ZINC	RED. FITTING G1X1/4 GF241	1	-
33	113146008	COLLETTORE BK20	MANIFOLD - BK20	2	-
34	113146009	GIUNTO COLLETTORE BK20	MANIFOLD JOINT - BK20	1	-
35	213190000	KIT GUARNIZIONI BK120	SEAL KIT BK120	1	6

Serbatoio aria / Air tank



Distinta / Spare parts lists

Rif / Ref	Codice / Code	Descrizione	Description	Q.tà / Q.ty	Cons. / Sugg.
1	183197000V	SERB.L500-N-BK119/120 D600/11 CE / VERN		1	-
2	5131900000	COMP.BK120		1	-
3	011055000	RACCORDO L M R1/8X6	L-SHAPED END COUPLING G1/8X6	1	-
4	045194000	CINGHIA TRAPEZOIDALE SPB 1950	V BELT SPB 1950	1	6
5	046001000	TUBO 6X4 RILSAN CALIBRATO	RILSAN HOSE 6X4	1,1	2
6	047213000	VALV.SIC.G1/2 T11 PED+ANELLO+CERT.IV CAT	SAFETY VALVE G1/2 T11 PED	1	-
7	140154004	PULEGGIA 180-2SPB- 38+BUSSOLA	PULLEY 180-2SPB-38	1	-
8	199140025	STAFFA SUPP.PARACINGHIA SKM15	BRACKET BELT GUARD SKM15	1	-
9	199140650	PARACINGHIA BK120 2PZ		1	-
10	199140653	TUBO MANDATA BK120 (BASE B700)		1	2
11	199499001	NIPPLO MANDATA G3/4 ZINC.	NIPPLE G3/4	1	-
12	322031000	RUBIN.LINEA A SFERA MF R3/4	BALL MAINS TAP R3/4	1	-
13	347138000	VALV.RITEGNO MM 3/4X3/4 VITON (SBP) PAD		1	1
14	305220000	TP.NEMA ET2 2VIE 12 16-20 A 1/4" 2PULS	PRESSURE SWITCH NEMA ET2 2VIE 12 16-20 A	1	1
15	190001020	CAVO ALIMENTAZIONE 4X2,5 HP5,5 230/50	POWER CABLE 4X2,5 HP5,5 230/50	1	-
16	191001030	CAVO COLLEG.TP- MOT.BK19-7,5 40050		1	-
17	199110140	NIPPLO SPEC.G3/8X1/4 H49	NIPPLE	1	-
18	330007000	MANOM.50-16/10 BAR-PSI ATT.P.GC1/4	PRESSURE GAUGE 50-16/10 BAR-PSI REAR	1	4
19	5401100622	MOT.EL.VEM132 CV10 40050 EA	EL.MOT. VEM132 CV10 40050 EA	1	-
20	022026000	RUBIN.SCARICO.COND.G3/8	DRAIN COCK. G3/8	1	-
21	047138002	OR 28X2 VR.347138000	O RING 28X2	1	-
22	047138003	MOLLA 18,4X25,5 INOX VR 347138000	SPRING 18,4X25,5	1	-

23	047138001	ELEMENTO DI TENUTA V.R.23X12,5 VITON	SEAL V.R.23X12,5 VITON	1	8
----	-----------	---	------------------------	---	---