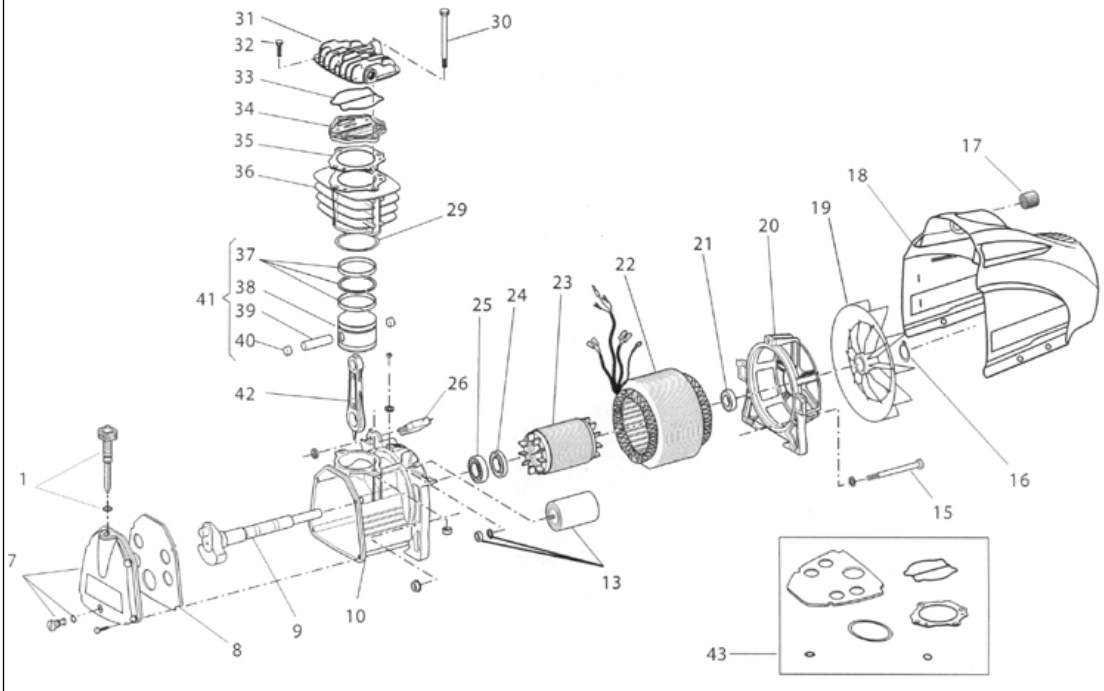




| | |
|-----------------------------|---|
| Codice Prodotto / Part No.: | 617HQA1604 |
| Modello / Model: | AMICO 25-SF2500 |
| Raggruppamento / Groupage: | Compressori / Compressors |
| Famiglia / Family: | coassiali / traino cinghia / coaxial / belt-driven |
| Tipo / Type: | 0-100 lt |
| Marchio / Brand: | FINI |
| V/Ph / Hz: | 230/1/50 |
| Validità / Validity: | 01/11/2007 |

Gruppo Pompante / Pumping units

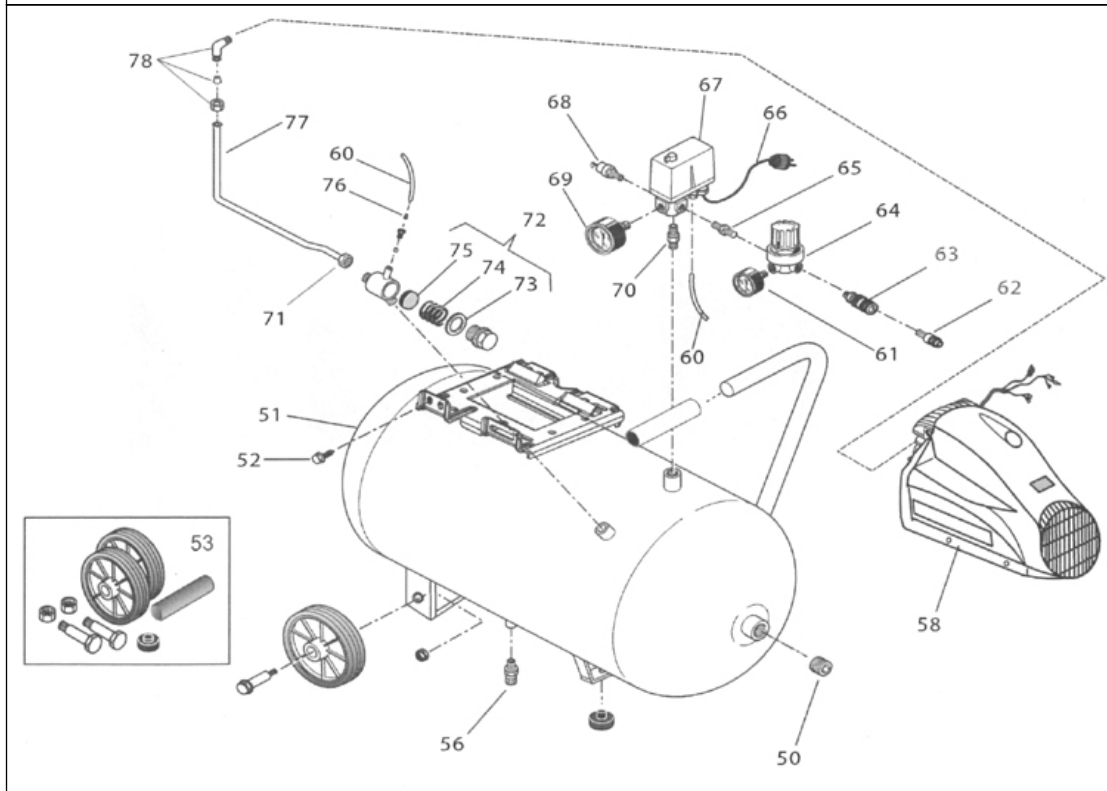


Distinta / Spare parts lists

| Rif / Ref | Codice / Code | Descrizione | Description | Q.tà / Q.ty | Cons. / Sugg. |
|-----------|---------------|--------------------------------------|--------------------------------|-------------|---------------|
| 1 | 312043000 | ASTA OLIO COMPL. X GRUPPI SF-MK CINA | COMPL.OIL DIPSTICK SF-MK CHINA | - | 1 |
| 7 | 116120031 | COPERCHIO AL.CARTER+TAPPO SF2500 | AL COVER+ PLUG SF2500 | - | 1 |
| 8 | 116120030 | GUARNIZ.COP.CARTER SF2500 | COVER SEAL SF2500 | - | 1 |
| 9 | 116120023 | ALBERO A GOMITO FD2000 60HZ | CRANKSHAFT FD2000 60HZ | - | 1 |
| 10 | 116120006 | CARTER FD2000 | CASING FD2000 | - | 1 |
| 13 | 009200004 | COND.FILM400/25 C8/D SEV | CAPACITOR 400/25 C8/D SEV | 2 | 1 |
| 15 | 014013086 | VTE M5X100 8.8 | SCREW M5X100 8.8 | - | 3 |
| 16 | 015083000 | ANELLO SEEGER TIPO G16X1,5 | SEEGER TIPO G16X1,5 | - | 1 |
| 17 | 116120017 | ELEM.FILTR.FD2000 | FD2000 FILTER CARTRIDGE | 10 | 1 |
| 18 | 116120001 | CARENATURA FD 2000 | HOUSING FD 2000 | 1 | 1 |
| 19 | 116120008 | VENTOLA FD2000 | FD2000 FAN | 2 | 1 |
| 20 | 116120007 | CALOTTA FD2000 | COVER FD2000 | - | 1 |
| 21 | 033005000 | CUSCINETTO 6203-2Z (174012) | BEARING 6203-2Z | - | 1 |
| 22 | 316120604 | STATORE AVV.FD2000 23050M | WOUND STATOR FD2000 230 50 | 1 | 1 |
| 23 | 116HT0004 | ROTORE 64,3X55-18 CA SIL.P01 LAV | ROTOR 64,3X55-18 CA SIL.01 LAV | - | 1 |
| 24 | 010132000 | ANELLO DI TENUTA 2547/7 | SEAL 2547/7 | - | 1 |
| 25 | 033082000 | CUSCINETTO 6005 C3 EC.(254712) | BEARING 6005 C3 EC | - | 1 |
| 26 | 008262000 | MOTOPROT.MANUALE 7A SNAP-IN | OVERLOAD SWITCH 7A SNAP-IN | - | 1 |
| 29 | 010133000 | ANELLO OR 3212 NBR | O RING 3212 NBR | - | 1 |
| 30 | 014001071 | VTE M8X111 8.8 F/RO ZINC. (NS.DIS) | SCREW M8X111 8.8 | - | 2 |
| 31 | 116120015 | TESTA FD2000(CT201) FIL.3/8 | FD 2000 HEAD | - | 1 |
| 32 | 014013031 | VTE M6X35 UNI 8111 TT F/RO ZINC. | SCREW M6X35 | - | 2 |
| 33 | 116120014 | GUARNIZ.TESTA FD2000 | HEAD SEAL FD2000 | - | 1 |
| 34 | 116120100 | PIASTRA PORTAVALV.CPL.FD2000 | COMPLETE VALVE PLATE | - | 1 |
| 35 | 116HT0002 | GUARNIZ,CILINDRO SF2000 SP0,5 | CYLINDER SEAL SF2500 | - | 1 |
| 36 | 116HT0001 | CILINDRO SF2000 GHISA | CYLINDER SF2500 | - | 1 |
| 37 | 216022002 | KIT SEGMENTI 47 | SET OF PISTON RINGS | 8 | 1 |

| | | | | | |
|----|-----------|------------------------|---------------------------|---|---|
| 38 | 116022004 | PISTONE 47 MK105 ALL. | AL. PISTON 47 - MK105 | - | 1 |
| 39 | 116022040 | SPINOTTO 12X38 D47 | AL. GUDGEON PIN 12X38 D47 | - | 1 |
| 40 | 015001000 | ANELLO SEEGER I 12 | SEEGER 12 D.50 | - | 2 |
| 41 | 416022004 | PISTONE COMPL.MK105 | COMPLETE PISTON - MK105 | 4 | 1 |
| 42 | 116091021 | BIELLA MK255 - | CONNECTING ROD. | - | 1 |
| 43 | 216120004 | KIT GUARNIZIONI SF2500 | GASTEK SET SF2000 (CINA) | 6 | 1 |

Serbatoio aria / Air tank



Distinta / Spare parts lists

| Rif / Ref | Codice / Code | Descrizione | Description | Q.tà / Q.ty | Cons. / Sugg. |
|-----------|---------------|--|--|-------------|---------------|
| 50 | 011008000 | TAPPO GC1/2 ACC.CH10 | STEEL CAP GC1/2 | 2 | 2 |
| 51 | 168HQ1000V | SERB.SALD.L24 FD2000 8B EC/V. | TANK L24 FD2000 8B EC/V. | 1 | - |
| 52 | 014013042 | VTE M5X15 UNI 8111 TT F/RO ZINC. | SCREW M5X15 | 4 | - |
| 53 | 117HP0005 | KIT MTG.RUOTE GOM.L25 SACC.NEUT. | WHEELS KIT CIAO25/185 SACC.NEUT. | 1 | 2 |
| 56 | 022021000 | RUBINETTO SCARICO CONDENSA G3/8+ARRESTO | CONDENSATE DRAIN COCK G3/8+ARRESTO | 1 | - |
| 58 | 516HQ21604 | COMP.SF2500-2M 230/50 | | 1 | - |
| 60 | 046001000 | TUBO 6X4 RILSAN CALIBRATO | RILSAN HOSE 6X4 | 1 | - |
| 61 | 330006001 | ***MANOM. D40 0-12 BAR-POST.1/8 CINA | | 1 | 4 |
| 62 | 011731000 | INNESTO RESCA 642417 (GENTILIN) | HOSE TAIL FITTING | 1 | - |
| 63 | 322053000 | RUBIN.RAPIDO CPL.G1/4M UNIVERSAL | SNAP COCK CPL.G1/4M UNIVERSAL | 1 | - |
| 64 | 319117000 | RIDUTT.PRESS.3020 SRM 1U 1/4 | | 1 | 1 |
| 65 | 011017000 | NIPPLO GC1/4X1/4 .GIALLO | NIPPLE GC1/4X1/4 BRASS | 1 | - |
| 66 | 164A04600 | CAVO 3X1 SCHUKO H05 RRF DIR.CE | CABLE 3X1 SCHUKO H05 RRF CE | 1 | - |
| 67 | 321053000 | PRESSOSTATO NEMA/P 4VIE 1/4 C/P BIPOL.VA | NEMA PRESSURE SWITCH | 1 | 1 |
| 68 | 047206000 | VALV.SIC.G1/4 T10 PED+ANELLO+CERT.IV CAT | SAFETY VALVE .G1/4 T10 PED | 1 | - |
| 69 | 330004000 | MANOM.50-12/8 BAR-PSI ATT.P.GC1/4 | PRESSURE GAUGE 50-12/8 BAR-PSI ATT.P.GC1 | 1 | 4 |
| 70 | 199110140 | NIPPLO SPEC.G3/8X1/4 H49 | NIPPLE | 1 | - |
| 71 | 199437000 | DADO X TUBO 3/8X10 | NUT | 1 | - |
| 72 | 347043000 | VALVOLA RITEGNO 3/8X3/8 MM | 3/8X3/8 MM NON RETURN VALVE | 1 | 1 |
| 73 | 010041000 | ANELLO OR 2075 VITON | O RING 2075 VITON | 1 | - |
| 74 | 047113002 | MOLLA CONICA V.R. G1/2X3/8 MF | TAPERED SPRING FOR NON-RETURN VALVE G1/2 | 1 | - |
| 75 | 047113001 | ELEMENTO DI TENUTA V.R.D15X7 (FQL)NBR | SEAL FOR NON-RETURN VALVE G1/2X3/8 | 1 | 8 |
| 76 | 011304000 | BUSSOLA DI RINFORZO D4 (RILSAN D6) | BUSHING D4 (RILSAN D6) | 1 | - |

| | | | | | |
|----|-----------|--|--------------------------|---|---|
| 77 | 168HQ0003 | ***TUBO MANDATA E.C.AMICO L24*** | AMICO 24 L DELIVERY PIPE | 1 | 2 |
| 78 | 011285000 | RACC L R3/8X10 ART.24302900(QUETTI) | L FITTING R3/8X10 | 1 | - |