

PACIFIC P - PG

BREATHING AIR
according to DIN EN 12021

DELIVERY
l/min 160 - 230 - 270 - 300 - 350
m³h 9,6 - 13,8 - 16,2 - 18 - 21

PRESSURE
BAR 225 / 330
PSI 3250 / 4800

 **NARDI**
COMPRESSORI
BREATHING AIR

High

Pressure
Quality
Performance
Money savings



Quality System Certified
ISO 9001

Technical data may be changed by manufacturer at any time

MADE IN ITALY BY NARDI COMPRESSORI

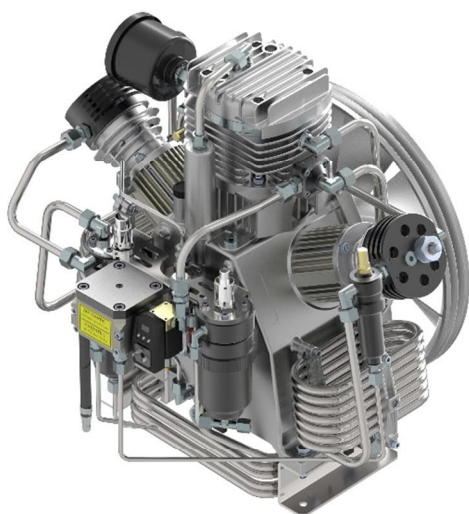
www.nardicompressori.com

PACIFIC P - PG

BREATHING AIR is a product line that includes several products made by NARDI COMPRESSORI which are designed to provide breathable air for the filling of cylinders for different applications (i.e.: scuba diving, safe & rescue, military, etc.). PACIFIC is a range of compressors of different flow rates that have a very high efficiency and are very robust to ensure many hours of continuous operation.

QUALITY OF COMPRESSOR BLOCK

The compressor block or pump unit is the heart of the PACIFIC compressors and it is a critical component in which NARDI has put major attention. It has features that make it unique in the world. Among these, the use of light alloys with high thermal efficiency, such as aluminum ones. The pump unit does not undergo any paint coating to enhance the heat dissipation of its low corrosion assembling elements.



The bearings of the crankshaft have rollers, extremely robust and made in Europe which guarantee a long life of the compressor. An oil pump provides a constant lubrication of the inner workings of the block with oil cleaned of impurities by a filter and by a magnet which catches any metals present in the lubricating oil. The compressed air cooling is obtained by inter-stage stainless steel cooling coils.

EFFICIENCY OF THE FRAME

The frame is designed to reduce weight and dimensions, making the compressor light and portable with its aluminum frame coated with epoxy powder paint and with its stainless steel components. It is equipped with a counter-frame with double anti-vibration which eliminates the vibrations on the ground. The paint coating and the stainless steel components guarantee protection against corrosion also in marine environment.

CONTROL AND ELECTRONICS

For a proper operation of the Booster, NARDI has designed a new electronic control panel. This new system controls all the main characteristics as temperature, oil level, current consumption, inlet pressure, outlet pressure and it monitors all sensors, valves and solenoid valves. In addition to this, the electronic control panel keeps track of the service schedule and oversees the status of the filtering system.

PURITY OF FILTERING SYSTEM

The compressor is equipped with various filters and separators: two separators assembled on the compressor block and one final filter PAC on the frame which is specific for breathing air. The compressor is equipped with one large filter that guarantee many working hours providing breathable air, in conformity with the standard UNI EN 12021:2014.

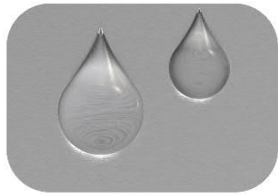
ECONOMY

Everything in the compressor is designed to optimize both the operating costs as well labor costs. Service of the compressor in addition of being rather inexpensive is scheduled at long time intervals. When the compressor is in operation to optimize the cost NARDI has designed the automatic condensate drain of the compressor, which is equipped with a unique patented **SLOW FLOW SYSTEM**, that reduces the quantity of gas expelled by 80% saving on pressurization of the entire system.

Technical data may be changed by manufacturer at any time

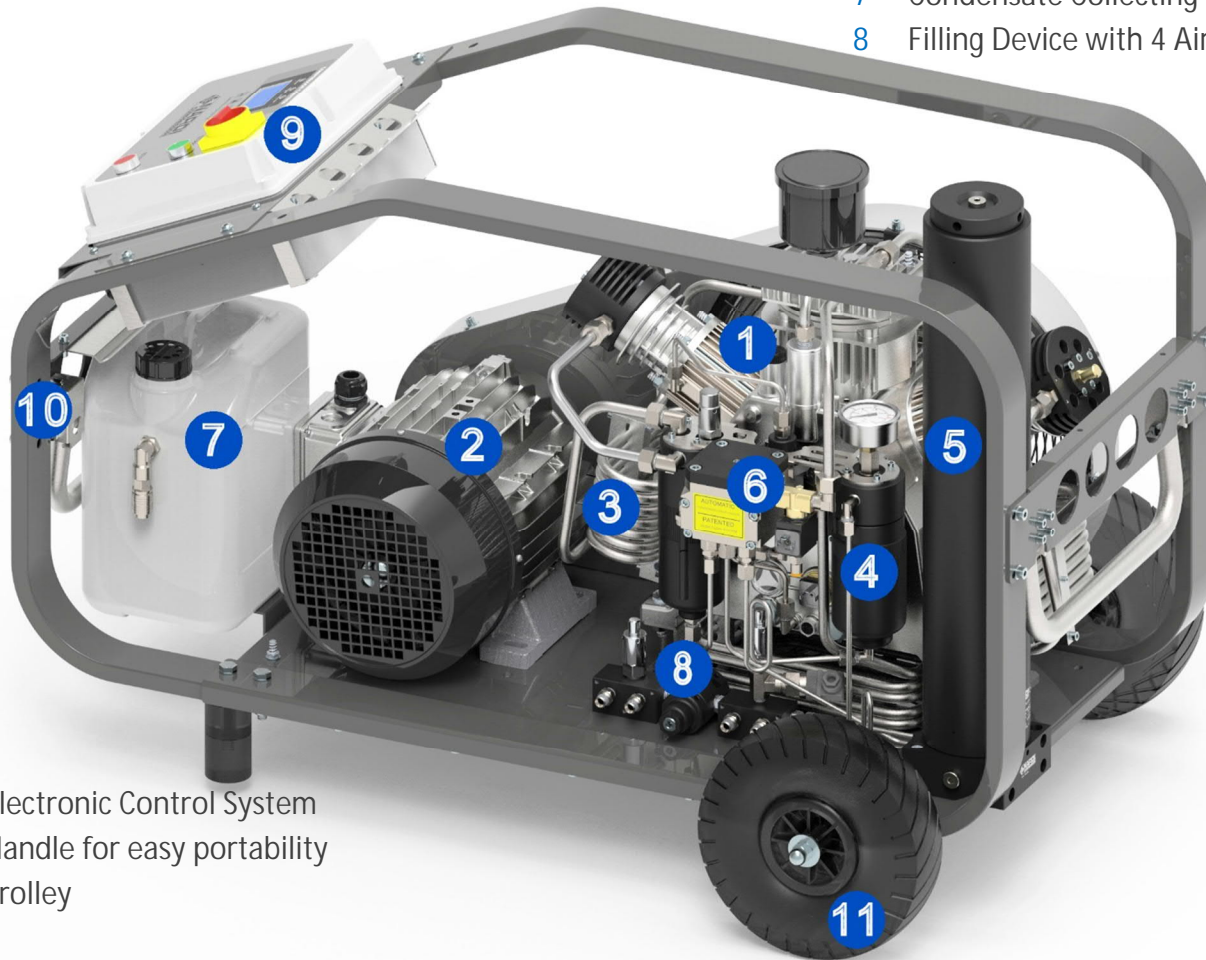
MADE IN ITALY BY NARDI COMPRESSORI

www.nardicompressori.com



WATER RESISTANT FRAME
ALUMINUM - STAINLESS STEEL

- 1 Compressor Block
- 2 3-Phase Electric Motor
- 3 Cooling Coils
- 4 Filter Separator
- 5 Breathing Air Filter PAC
- 6 Condensate Drain
- 7 Condensate Collecting Tank
- 8 Filling Device with 4 Air Exits



- 9 Electronic Control System
- 10 Handle for easy portability
- 11 Trolley

OPTIONAL

Compressor model	PACIFIC P	PACIFIC PG
Electronic Control System (Control pressure level and automatic condensate drain)	AVAILABLE	NOT AVAILABLE
Air Quality Control Integrated to Electronic Control System (AIR CONTROL SYSTEM)	AVAILABLE	NOT AVAILABLE
Air Quality Control (AIR CONTROL SYSTEM)	AVAILABLE	AVAILABLE
Additional Filling Hoses (Standard 2 air filling hoses, max. 4)	AVAILABLE	AVAILABLE
Dual Pressure with Pressure Reducer 225 Bar (max. 2 hoses) + 330 bar (max. 2 hoses)	AVAILABLE	AVAILABLE
Filtering System PAC FILTER 2	AVAILABLE	AVAILABLE
Filtering System PAC FILTER 3	AVAILABLE	AVAILABLE
Two Handles for easy portability of the compressor	AVAILABLE	AVAILABLE
Trolley (two wheels + handle)	AVAILABLE	AVAILABLE
Condensate Collecting Tank "Eco Friendly"	AVAILABLE	AVAILABLE

Technical data may be changed by manufacturer at any time

MADE IN ITALY BY NARDI COMPRESSORI

www.nardicompressori.com

PACIFIC P



PACIFIC PG



Compressor Model	Charging rate		Filtration	Filling Time	Stages	Revolution	Power		Noise	Weight		Dimensions
Modello Compressore	Aria resa		Filtro	Tempo di carica	Stadi	Giri	Motore		Rumore	Peso		Dimensioni
Type	l/min.	m ³ /h	Mod.	10 Litri / 200 bar	N°	Rpm	HP	Kw	dB	Kg	Lbs	cm (LxWxH)
PACIFIC P 16	160	9,6	PAC1	12 min 30 sec	3	1350	4	3	74	127	300	118 x 54 x 69
PACIFIC P 23	230	13,8	PAC1	8 min 46 sec	3	1350	5,5	4	75	127	300	118 x 54 x 69
PACIFIC P 27	270	16,2	PAC1	7 min 26 sec	3	1550	7,5	5,5	76	137	302	118 x 54 x 69
PACIFIC P 30	300	18	PAC1	6 min 44 sec	3	1450	7,5	5,5	75	137	302	118 x 54 x 69
PACIFIC P 35	350	21	PAC1	5 min 47 sec	4	1550	10	7,5	78	142	313	118 x 54 x 69

Compressor Model	Charging rate		Filtration	Filling Time	Stages	Revolution	Power		Noise	Weight		Dimensions
Modello Compressore	Aria resa		Filtro	Tempo di carica	Stadi	Giri	Motore		Rumore	Peso		Dimensioni
Type	l/min.	m ³ /h	Mod.	10 Litri / 200 bar	N°	Rpm	HP	Kw	dB	Kg	Lbs	cm (LxWxH)
PACIFIC PG 23	230	13,8	PAC1	8 min 46 sec	3	1350	9	6,7	79	113	249	118 x 54 x 69
PACIFIC PG 27	270	16,2	PAC1	7 min 26 sec	3	1550	9	6,7	80	113	249	118 x 54 x 69
PACIFIC PG 30	300	18	PAC1	6 min 44 sec	3	1450	14	10	79	123	271	118 x 54 x 69
PACIFIC PG 35	350	21	PAC1	5 min 47 sec	4	1550	14	10	81	128	282	118 x 54 x 69

NARDI COMPRESSORI SRL

Via Marco Polo, 2

36075 Montecchio Maggiore (VI) ITALY

Phone +39 0444 159111

Fax +39 0444 159122

Technical data may be changed by manufacturer at any time

MADE IN ITALY BY NARDI COMPRESSORI

www.nardicompressori.com