

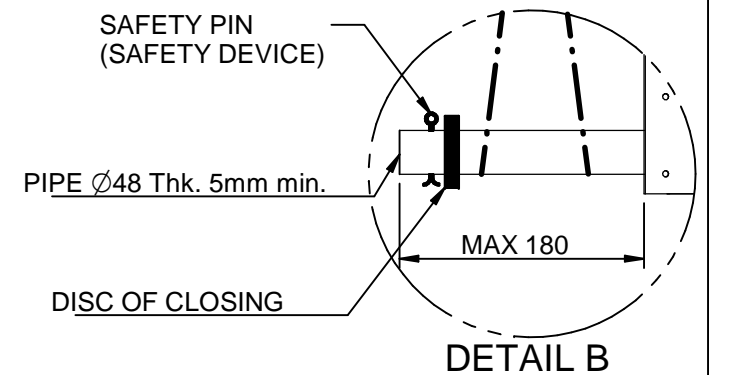
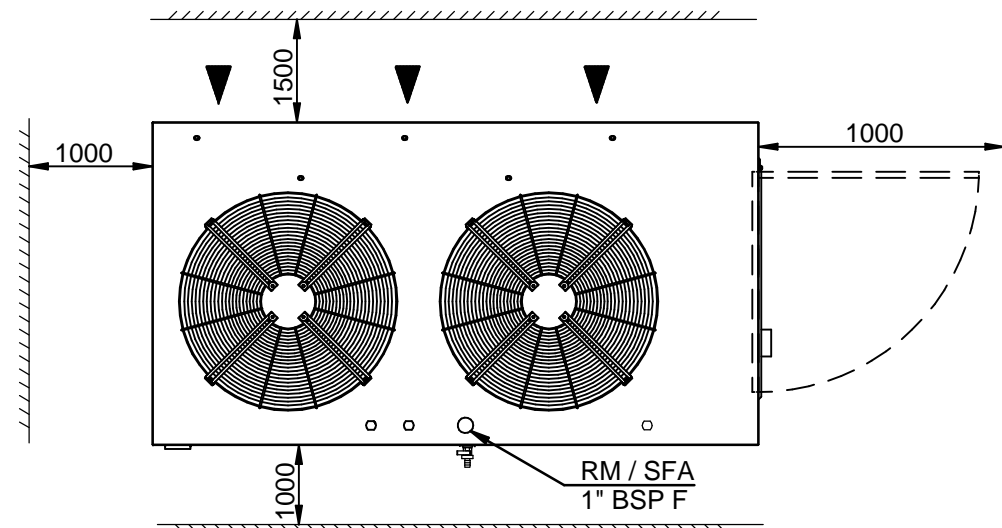
**ATTENTION:**  
THE FOLLOWING DIMENSIONS AND WEIGHTS  
**DO NOT INCLUDE THE PACKAGING**

**LEGEND**

HPG	High pressure gauge ( Opt )
LPG	Low pressure gauge
MW	Water pressure gauge
RM	Manual water filling cap
SFA	Manual air vent
VSC	Water drain valve
ATV	Rubber type antivibrant mounting ( Opt )

**LIFTING AND CARRIAGE PRECAUTIONS**

- Check the weight on the CE label to select appropriate lift equipment .
- Before lifting the unit make sure that the external panel is firmly fixed in place.
- To use only lifting points provided.
- The chains or slings must be of equal length.
- To use a spread-bar to avoid damage to the unit.
- The movement must be performed with caution and avoid abrupt movements.
- Never move the unit on rollers.



MOD.	EMPTY WEIGHT	OPERATING WEIGHT	HYDRAULIC CONNECTION
ENR.030	375 kg	675 kg	1" 1/2 BSP F
ENR.038	390 kg	690 kg	1" 1/2 BSP F
ENR.045	410 kg	710 kg	1" 1/2 BSP F
ENR.055	500 kg	800 kg	1" 1/2 BSP F

Scala-Scale	Data-Date	Dis.to-Drawn	N°Pezzi
	11/04/13	M. M.	
Peso-Weight Kg.	Materiali-Materials		
Denominazione-Denomination			
WATER CHILLERS mod. ENR.030÷055			
Particolare-Detail			
Overall dimension - Lift Instruction			
REFRIGERANT R410A / R32 / R454B			

**HITEMA®**

DIS.-DRAW N.	DIM-ENR-030ST01
Rev.	10-B.N.-26/01/21
PROGRAM.N.	