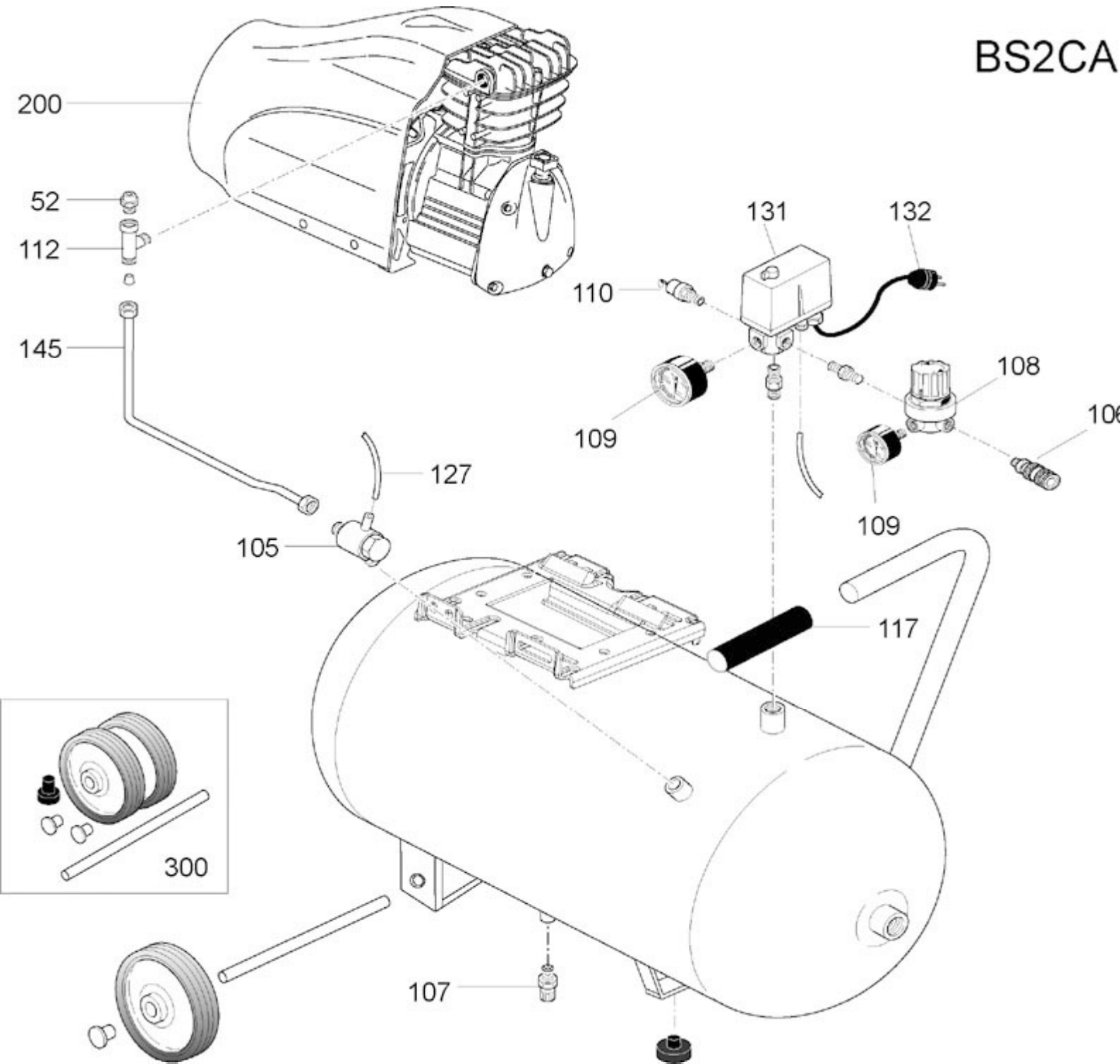
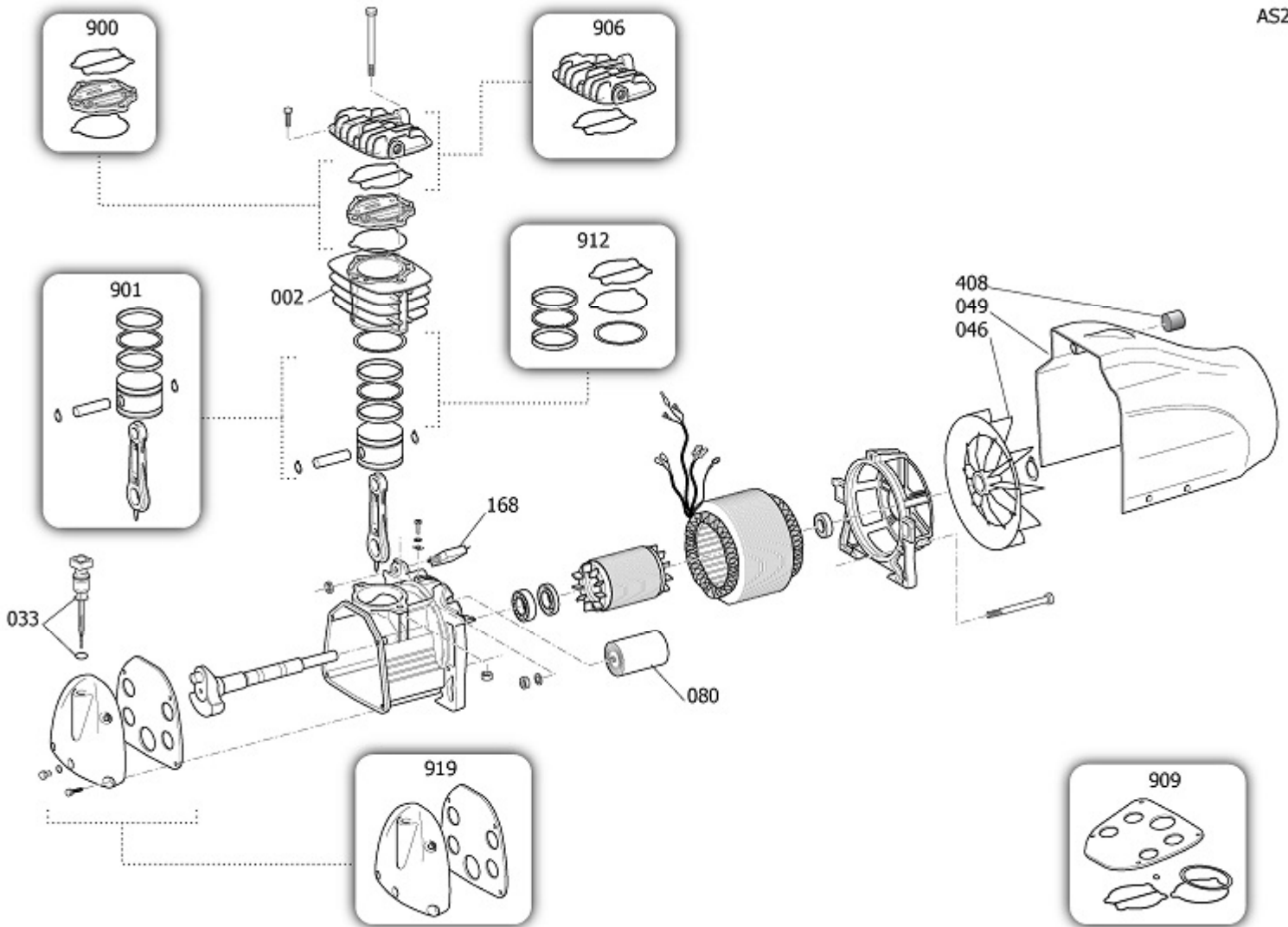


BS2CA



Pos	Component	MU	Multiplier
105	9048067	CHECK VALVE	PZ 1,0
106	9047087	LINE COCK	PZ 1,0
107	9047079	CONDENSATE DRAIN COCK	PZ 1,0
108	9051116	PRESSURE REDUCER	PZ 1,0
109	9052255	PRESSURE GAUGE	PZ 1,0
109	9052256	PRESSURE GAUGE	PZ 1,0
110	9049193	RELIEF VALVE	PZ 1,0
112	9053159	NIPPLE/ELBOW	PZ 1,0
116	9038001	PLUG	PZ 2,0
127	9270006	RILSAN PIPE 4/6 BLACK	MT 0,3
131	9063084ATL100	COMPLETE PRESSURE SWITCH	PZ 1,0
132	9065378	POWER CABLE	PZ 1,0
145	9043829	DELIVERY PIPE	PZ 1,0
200	41P0085SGL	BARE PUMP	PZ 1,0
300	9420071	WHEELS/FEET MOUNTING KIT	PZ 1,0



Pos	Component	MU	Multiplier
1	4105216 CASING	PZ	1,0
2	4105020SGL CYLINDER	PZ	1,0
4	4105143 SHAFT	PZ	1,0
30	4105001 BEARING 6005 C3 EC,P6C3	PZ	1,0
30	4105002 6203.ZZ.P6.C3.V2.Z2.170\$.ROHS	PZ	1,0
33	4105028 OIL PLUG	PZ	1,0
34	9163010 SEAL	PZ	1,0
43	4105215 SHIELD MOTOR	PZ	1,0
46	4105029 FAN	PZ	1,0
47	4106687 ROTOR	PZ	1,0
48	4106688 WOUND STATOR	PZ	1,0
49	4106706 UPPER HOUSING	PZ	1,0
80	9411165 CONDENSER	PZ	1,0
168	4105058 OVERLOAD CUTOUT	PZ	1,0
408	4100260 FILTER ELEMENT D32x30 SD2500	PZ	1,0
900	9434A40 MPK VALVE PLATE MK97-137	PZ	1,0
901	9434B45 MPK PISTON-CONROD SF2500	PZ	1,0
906	9434G34 MPK HEAD SF2500	PZ	1,0
909	9434F42 MPK GASKET SF2500	PZ	1,0
912	9434C37 MPK PISTON RINGS MK137	PZ	1,0
919	9434L11 MPK CARTER COVER SF2500	PZ	1,0