

MADE IN ITALY



INDUSTRIAL range



MiniCUBE

The smallest silent screw compressor



Fixed speed
2.2 kW



NEW

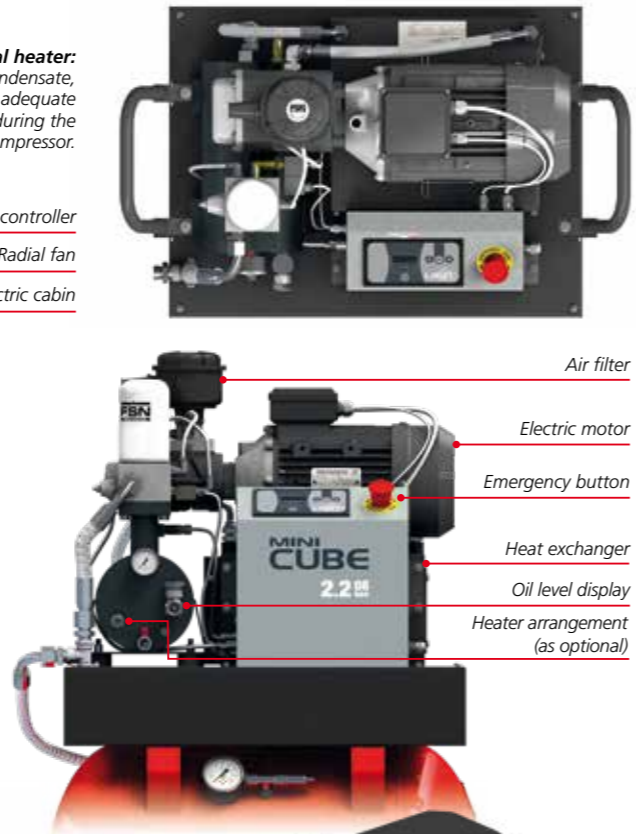
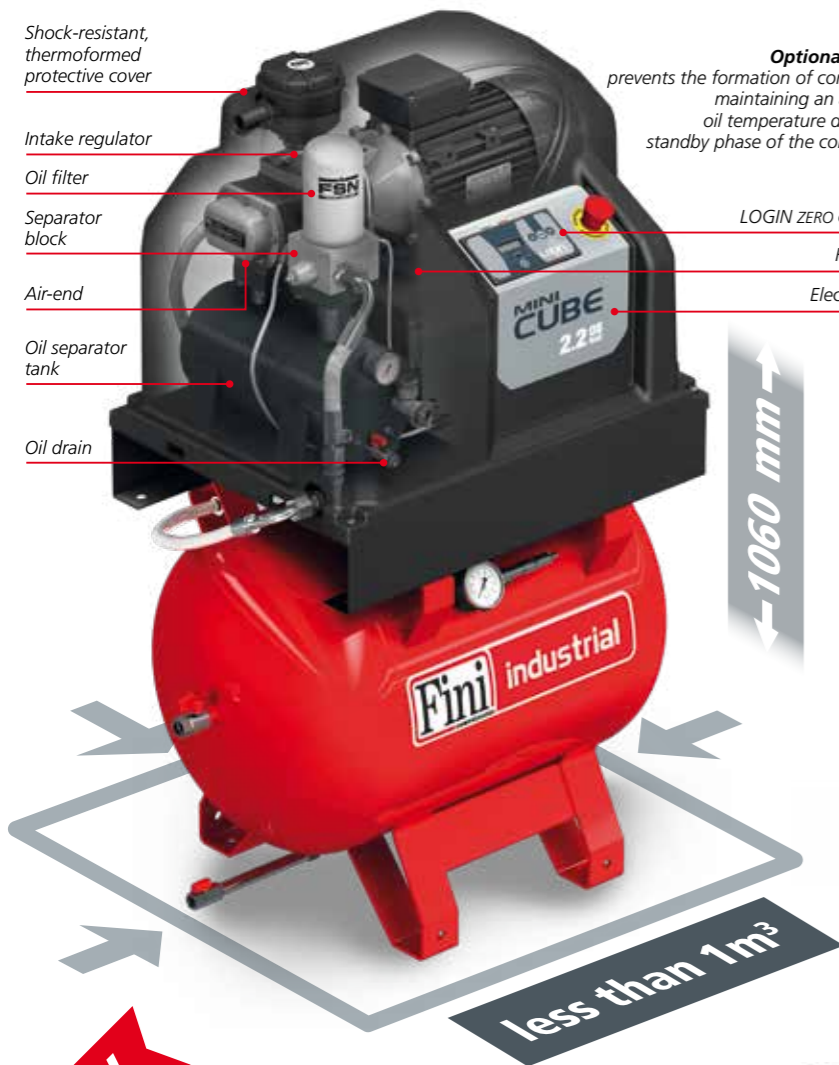
MINI CUBE

SILENT ROTARY SCREW COMPRESSOR

MADE IN ITALY

MAXI Performance, MINI Dimensions.

All the power of a screw compressor in one cubic meter



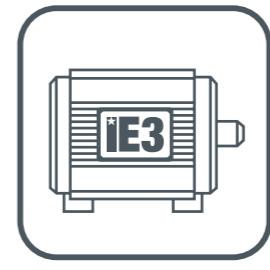
LOGIN ZERO
Multi-function controller with 5-digit LED display

- Measures and displays:**
- ▶ Compressor status (stand-by, idle, loaded, off).
 - ▶ Operating temperature.
 - ▶ Operating pressure.
 - ▶ Total working hours and load hours.
 - ▶ Remaining hours for maintenance.



- ▶ Alarm management (motor thermal overload, fan thermal overload, oil temperature values) with dedicated LED signalling.
- ▶ Auto-restart after power failure.
- ▶ Integrated digital phase sequence control.

only 65 dB(A) 2.2 kW 8 - 10 Bar with continuous cycle

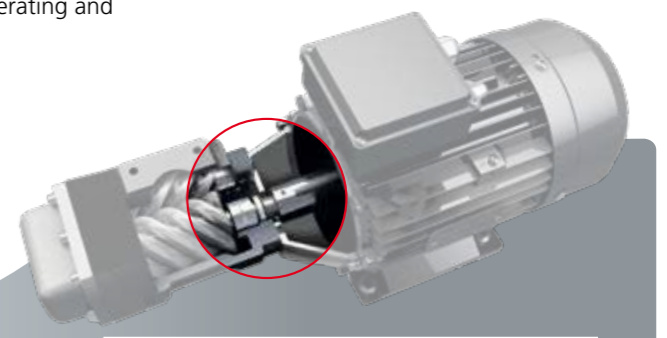


Reliable, compact, silent
MiniCUBE is the new oil-lubricated coaxial compressor with direct starter, the smallest of the entire FINI screw range. The small size of the air-end/motor connection system allows the machine to maintain an extremely small footprint. Furthermore, thanks to its extreme quietness, only 65 dB(A), it can be placed near any operating environment. MiniCUBE is available in the floor mounted version or on a painted or galvanised 90-litre tank.

Efficient and cost-effective
MiniCUBE is designed for continuous operation in industrial applications. The coaxial transmission, with the air-end directly connected to the electric motor without any flexible coupling, ensures the best transmission efficiency. The three-phase versions are equipped with an IE3 energy efficiency class motor. The FS14 air-end ensures minimum pressure losses, providing considerable energy savings and low operating and maintenance costs.

Easy to transport
MiniCUBE is handy and easy to move, thanks to the 2 sides handles (only floor mounted version) and the forklift or pallet truck pre-arrangement at the bottom of the tank.

Simplified maintenance
All internal components are easily accessible, making routine maintenance fast and simple to perform.



PLUG&PLAY
MiniCUBE is ready for use: it is supplied already equipped with RotarECOFLUID mineral oil.

	Model	Code	ℓ	Power supply		Air outflow rate			MAX	dB(A)	BSP	kg	L x W x H (mm)				
				kW	HP	V/Ph/Hz	l/min.	m ³ /min.					c.f.m.	bar	psi	kg	L x W x H (mm)
FLOOR MOUNTED	MiniCUBE 2.2-08	V51PC72FNM017	-	2.2	3	400/3/50	292	0.29	10.3	8	116	65	1/2"	68	780x460x600	79	840x540x790
	MiniCUBE 2.2-08 M	V51PC60FNM017	-	2.2	3	230/1/50	292	0.29	10.3	8	116	65	1/2"	68	780x460x600	79	840x540x790
	MiniCUBE 2.2-10	V51PK72FNM017	-	2.2	3	400/3/50	261	0.26	9.2	10	145	65	1/2"	68	780x460x600	79	840x540x790
PAINTED TANK	MiniCUBE 2.2-10 M	V51PK60FNM017	-	2.2	3	230/1/50	261	0.26	9.2	10	145	65	1/2"	68	780x460x600	79	840x540x790
	MiniCUBE 2.2-08-90	V72PC72FNM001	90	2.2	3	400/3/50	292	0.29	10.3	8	116	65	1/2"	104	730x460x1060	116	840x540x1340
	MiniCUBE 2.2-08-90 M	V72PC60FNM001	90	2.2	3	230/1/50	292	0.29	10.3	8	116	65	1/2"	104	730x460x1060	116	840x540x1340
GALVANIZED TANK	MiniCUBE 2.2-10-90	V72PK72FNM001	90	2.2	3	400/3/50	261	0.26	9.2	10	145	65	1/2"	104	730x460x1060	116	840x540x1340
	MiniCUBE 2.2-10-90 M	V72PK60FNM001	90	2.2	3	230/1/50	261	0.26	9.2	10	145	65	1/2"	104	730x460x1060	116	840x540x1340
	MiniCUBE 2.2-08-90 Z	V72PC72FNMZ01	90	2.2	3	400/3/50	292	0.29	10.3	8	116	65	1/2"	104	730x460x1060	116	840x540x1340
	MiniCUBE 2.2-08-90 M Z	V72PC60FNMZ01	90	2.2	3	230/1/50	292	0.29	10.3	8	116	65	1/2"	104	730x460x1060	116	840x540x1340
	MiniCUBE 2.2-10-90 Z	V72PK72FNMZ01	90	2.2	3	400/3/50	261	0.26	9.2	10	145	65	1/2"	104	730x460x1060	116	840x540x1340
	MiniCUBE 2.2-10-90 M Z	V72PK60FNMZ01	90	2.2	3	230/1/50	261	0.26	9.2	10	145	65	1/2"	104	730x460x1060	116	840x540x1340

M = Single-phase
Z = Galvanized tank
Reference conditions: air intake temperature 20°C (68°F) – atmospheric pressure 1 bar (14.5 p.s.i.).
Air flow was measured in the following operative pressures: 7.5 bar for models at 8 bar - 9.5 bar for models at 10 bar.
The data and results were measured in accordance with standard ISO 1217. The sound level was measured in accordance with standard ISO 3744.



A wide range of solutions for industrial applications



MICRO - PLUS

Oil-injected rotary screw compressors, with belt transmission, at fixed or variable speed, and power values from 2.2 to 75 kW.



K-MAX

Oil-injected rotary screw compressors, with direct transmission with or without gears, at fixed or variable speed, and power values from 5.5 to 90 kW.



TERA

Oil-injected rotary screw compressors, with direct driven, at fixed or variable speed, and power values from 110 to 250 kW.



OS Scroll

Oil-free compressors with scroll spiral pumps, at fixed speed, and power values from 2.2 to 30 kW.



AIR TREATMENT

Dryers, filters, vertical tanks, and a wide range of accessories for compressed air treatment.

Protect your investment, extend the Warranty up to **5** years!



When installing your new Fini screw compressor, join the "Trust" Warranty 3- to 5-year extension program to benefit from countless advantages by maximising the effectiveness, safety, and duration over time of your investment. Thanks to scheduled maintenance programs, exclusively performed by FINI Authorised Assistance Centres, you can rely on a timely, highly professional service, as well as on the use of only original spare parts guaranteed by the FSN brand.

The "Trust" warranty can be easily extended online through EasyConnect, the new Fini service portal specially created to simplify customers' lives by providing them with quick, clear responses about product availability, order management, and goods shipping times.

Faster than you think
EasyConnect

YOUR WEB PORTAL SERVICES. OUR FUTURE.



FNA S.p.A.

Registered office and production plant: Via Einaudi, 6 - 10070 Robassomero (TO) - ITALY

Production plant: Via Toscana, 21 - 40069 Zola Predosa (BO) - ITALY

Foreign sales office: Tel. +39 011 9233000 - Fax: +39 011 9241138

www.finicompressors.com - info@fnacompressors.com

