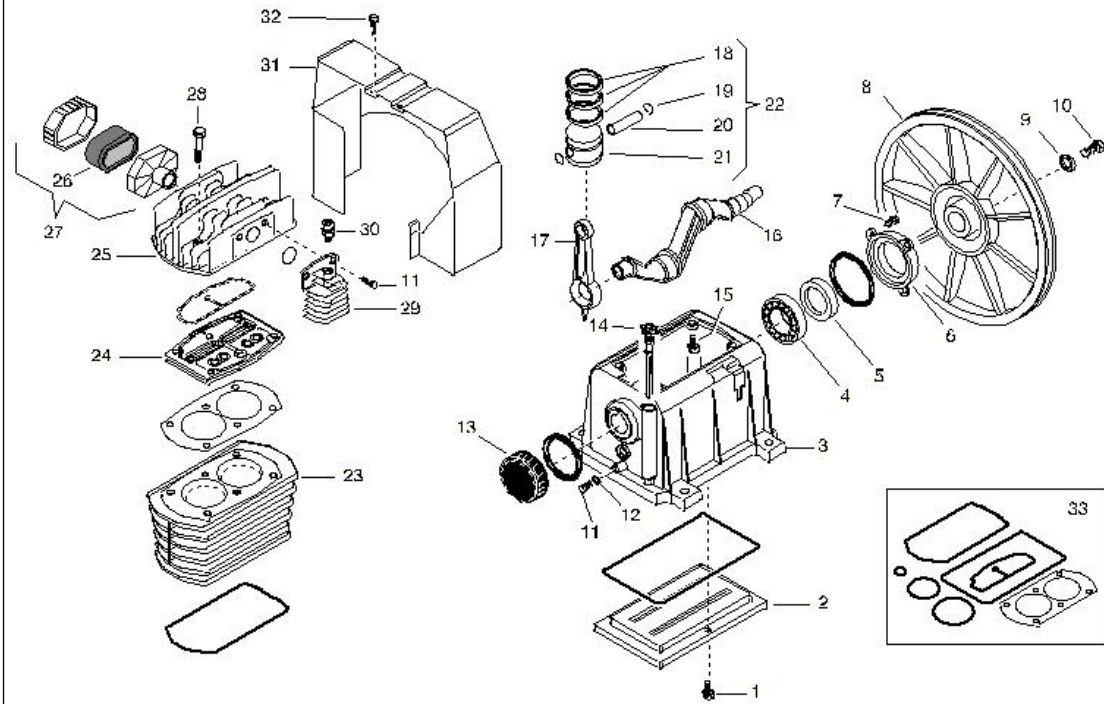




Codice Prodotto / Part No.:	870QA1Q604
Modello / Model:	MK103-50-3M
Raggruppamento / Groupage:	Compressori / Compressors
Famiglia / Family:	coassiali / traino cinghia / coaxial / belt-driven
Tipo / Type:	0-100 lt
Marchio / Brand:	FINI
V/Ph / Hz:	230/1/50
Validità / Validity:	01/02/2002

Gruppo Pompante / Pumping units

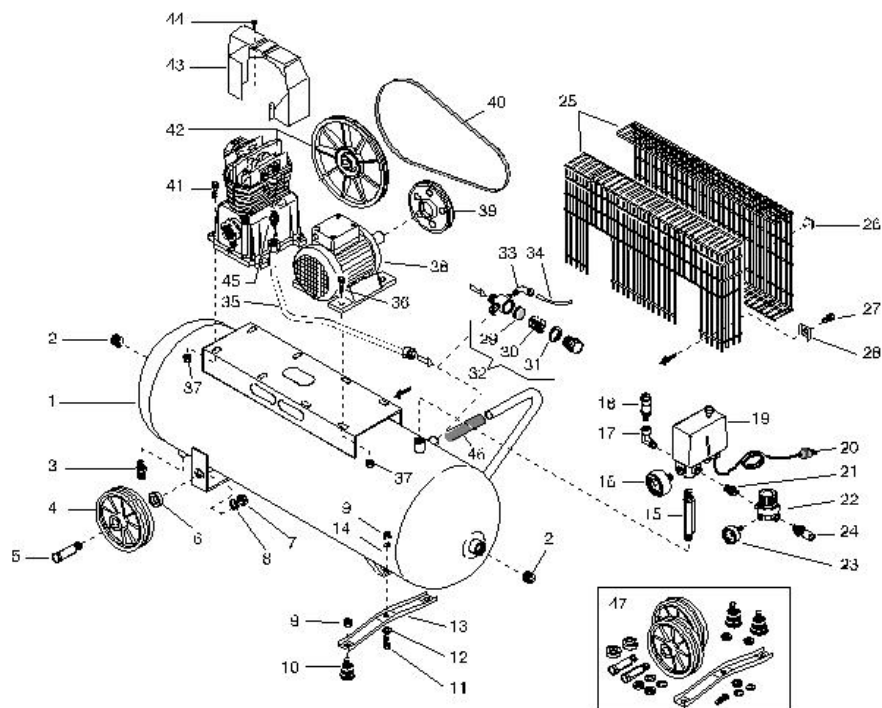


Distinta / Spare parts lists

Rif / Ref	Codice / Code	Descrizione	Description	Q.tà / Q.ty	Cons. / Sugg.
1	014013054	VTE M5X12 UNI 8111 TT F/RO ZINC.	SCREW M5X12	6	6
2	113149015	COPERCHIO INFERIORE CARTER MK92#	CRANKCASE REAR COVER	1	1
3	113167001	CARTER MK103 -	CASING MK103	1	1
4	033027000	CUSCINETTO 6205	BEARING 6205	1	1
5	010053000	ANELLO DI TENUTA 2535/7	SEAL RING 2535/7	1	1
6	113149008	COPERCHIO ANTERIORE MK92	FRONT COVER MK92	1	1
7	014013021	VTE M6X20 UNI 8111 TT F/RO ZINC.	SCREW M6X20	3	3
8	013160010	VOLANO MK94-92	FLY WHEEL MK94-92 NEW	1	1
9	014005001	RONDELLA 9,2X36X4	WASHER 9X36X4	1	1
10	113160011	VTE M8SINISTRAX18 TRATT.DRY-LOCK	SCREW M8 X18 LEFT DRY LOCK	1	1
11	014013082	VTE M8X20 UNI 8110 TT ZINC.	SCREW M8X20 UNI 8110	3	3
12	014005025	ROND.8X12X1 ALL.	WASHER 8X12X1	1	1
13	113149009	COPERCHIO POSTERIORE MK92-103#	REAR COVER	1	1
14	012036000	ASTA OLIO ALS20X109 92/5 TIPO NUOVO	DIPSTICK ALS 20X100	1	1
15	014010044	VTE M8X25 8.8 F/RO ZINC. NS/DISEGNO	SCREW M8X25 8.8	4	4
16	113167003	ALBERO A GOMITO MK103#	CRANKSHAFT MK103	1	1
17	113150004	BIELLA MK93 - -	MK93 CONNECTING ROD	1	1
18	213167001	KIT SEGMENTI MK103	SET OF RINGS MK103	2	2
19	015023000	ANELLO FERMA SPINOTTO 17 (D60-70)	SEEGER 17 D.60-70	4	4
20	116025006	SPINOTTO 17X50 D60-70 ALL	AL.GUDGEON PIN 17X51,5 D60-70	2	2
21	113164009	PISTONE 65 MK113	PISTON	2	2
22	413167006	PISTONE COMPLETO MK103	COMPLETE PISTON P1225 O.C	2	2
23	113167002	CILINDRO MK103 - # -	CYLINDER	1	1
24	413167005	PIASTRA PORTAVALV.COMPL.MK103	COMPL.VALVE PLATE MK103	1	1
25	013167020	FAP TESTA MK103#		1	-
26	017003000	ELEMENTO FILTRANTE CM410	FILTER CARTRIDGE CM410	1	12
27	317001000	FILTRO ASPIRAZIONE CM 410	INTAKE FILTER CM410	1	4

28	014002041	VITE M8X50 8.8 F/RO	SCREW M8X65 UNI5737-8G	6	-
29	116091024	COLLETTORE FINALE MK255 FORO G1/4	TERMINAL MANIFOLD MK255 G1/4 HOLE	1	-
30	011158000	VALVOLA AUTOMATICA SCARICO G1/4-2,2 16.1	AUTOMATIC BLEED VALVE G1/4 16.1030	1	2
31	113150002	CONVOGLIATORE MK92-93#	CONVEYOR	1	-
32	014006121	VTE 4,2X13 UNI6950 F/RO AUTOFIL.	SELF-TAPPING SCREW 4,2X13 UNI6950	1	-
33	213167002	KIT GUARNIZIONI MK103	GASKETS SET MK103	1	6

Serbatoio aria / Air tank



Distinta / Spare parts lists

Rif / Ref	Codice / Code	Descrizione	Description	Q.tà / Q.ty	Cons. / Sugg.
1	170040000V	SERB.L50-C-B440/N D300/11	TANK L50 B440/N D300/11 CE	1	-
2	011008000	TAPPO GC1/2 ACC.CH10	STEEL CAP GC1/2	2	-
3	022021000	RUBINETTO SCARICO CONDENSA G3/8+ARRESTO	CONDENSATE DRAIN COCK G3/8+ARRESTO	1	2
4	020212000	***RUOTA* 200X47X14* SERIE* SR*****	WHEEL 200X47X14 SR	2	-
5	176QA0001	PERNO RUOTA SERB.L200 ADVANCE	WHEEL SPINDLE L200 ADVANCED	2	-
6	170QH0002	DISTANZIALE*SERB*L50*ADVANCE****	SPACER L50 ADVANCED	2	-
7	014003005	DADO ESAG.M10 UNI5588-5D ZINC	HEXAG.NUT M10UNI5587-5D	2	-
8	014005006	ROND.10,5X21 UNI6592-69 ZINC.	WASHER 10,5X21 UNI6	2	-
9	014003019	DADO FLANG.BASE DENT.M8 ZINC.	NUT FLANG.BASE DENT.M8 ZINC.	3	-
10	020004000	ANTIVIBR.VENTOSA	VIBRATION DAMPER WARRIOR CSA	2	-
11	014001041	VITE M8X20 UNI5739-8.8	SCREW M8X20 UNI5739-5D	1	-
12	014005010	ROND.8,5X24X3 TRANC.ZINC.	WASHER 8,5X24X3	1	-
13	170QH0003	STAFFA SUPP.ANTIVIBR.ADVANCE	VIBRATION DAMPER SUPPORT ADVANCED	1	-
14	014005010	ROND.8,5X24X3 TRANC.ZINC.	WASHER 8,5X24X3	1	-
15	199110140	NIPPLO SPEC.G3/8X1/4 H49	NIPPLE	1	-
16	330050000	**MANOM*50-16/11* BAR-PSI ATT*P.GC1/4***	PRESSURE GAUGE 50 16/11 BAR-PSI ATT.1/4	1	4
17	011002000	RACCORDO L MF R1/4	SHAPED COUPLING L MF G1/4	1	-
18	047028000	VALV*SICUREZZA*G1/4*T11* PB*AN*CAPP*****	G1/4 SAFETY VALVE + RING	1	-
19	321028000	PRESS.4115/2 NEMA/P 4 VIE 1/4C/P BIP	PRESSURE SWITCH 4115/2 NEMA/P 4 VIE 1/4C	1	1
20	102GY0400	CAVO 3X2,5 SCHUKO H05 RRF DIR.CE	POWER CABLE 3x2,5 SCHUKO	1	-
21	011017000	NIPPLO GC1/4X1/4 .GIALLO	NIPPLE GC1/4X1/4 BRASS	1	-
22	319095000	RIDUTTORE DI PRESSIONE 3016 2U 1/4	PRESSURE REDUCER 3016 2U 1/4	1	-
23	330006000	MANOM.3300/1 D.40 0-12 BAR- POST.1/8	PRESSURE GAUGE 40-12 BAR-PSI BACK COUP	1	4

24	322053000	RUBIN.RAPIDO CPL.G1/4M UNIVERSAL	SNAP COCK CPL.G1/4M UNIVERSAL	2	2
25	199688000	**PARACING.* MK8-10*11*SPEC.057004 2P**	BELT-GUARD FULL PROTECTION	1	-
26	020025000	TASSELLI RT3 PER PARACINGHIA RT86 999183	PLASTIC DOWEL FOR GUARD-BELT	4	-
27	014005007	ROND.QUADRATA FORO 6 ZINC.999166	SQUARE WASHER - HOLE 7	4	-
28	014013055	VITE M5X15 TAP-TITE	SCREW M5X15 TAP-TITE	3	-
29	047152001	ELEM.TENUTA+INCAVO 17X9 VITON	SEAL ELEMENT	1	8
30	047152002	***MOLLA CONICA V.R.1/2 FQL****	TAPERED SPRING	1	-
31	047152003	GUARNIZ.VR 1/2 FQL D27X24,3X1	CHECK VALVE SEAL 1/2 FQL D27X24,3X1	1	-
32	347062000	VALVOLA RITEGNO G1/2X1/2 MM	NON RETURN VALVE	1	1
33	011055000	RACCORDO L M R1/8X6	L-SHAPED END COUPLING G1/8X6	1	-
34	046001000	TUBO 6X4 RILSAN CALIBRATO	RILSAN HOSE 6X4	1	2
35	170QA0001	TUBO MANDATA RAME MK103	DELIVERY TUBE MK103	1	2
36	014001056	VTE M8X30 DIN6921-8.8 F/RO ZINC.	SCREW M8X30	4	-
37	014003019	DADO FLANG.BASE DENT.M8 ZINC.	NUT FLANG.BASE DENT.M8 ZINC.	4	-
38	540E009604	MOT.EL.VEM90 CV3M 22050	ELECTRIC MOTOR VEM90 3 HP V.220/50	1	-
39	140289004	PULEGGIA 120-A-24	PULLEY 120-A-24	1	-
40	045002000	CINGHIA TRAPEZOIDALE A42	V-BELT A42	1	6
41	014001058	VTE M8X40 DIN6921-8.8 F/RO ZINC.	SCREW M8X40	4	-
42	5131670000	COMPRESSORE MK103	COMPRESSOR MK103	1	-
43	113150002	CONVOGLIATORE MK92-93#	CONVEYOR	1	-
44	014006121	VTE 4,2X13 UNI6950 F/RO AUTOFIL.	SELF-TAPPING SCREW 4,2X13 UNI6950	1	-
45	199021000	NIPPLO MANDATA G1/2 ZINC.	NIPPLE FOR AIR FEED PIPE G1/2	1	-
46	020121000	MANOPOLA PLASTICA D22	KNOB MOD.1024 D23	1	-
47	470TH0010	KIT MTG.RUOTE ADVANCE L50 102-103	WHEELS MOUNTING KIT ADAVANCED L50 102-10	1	2