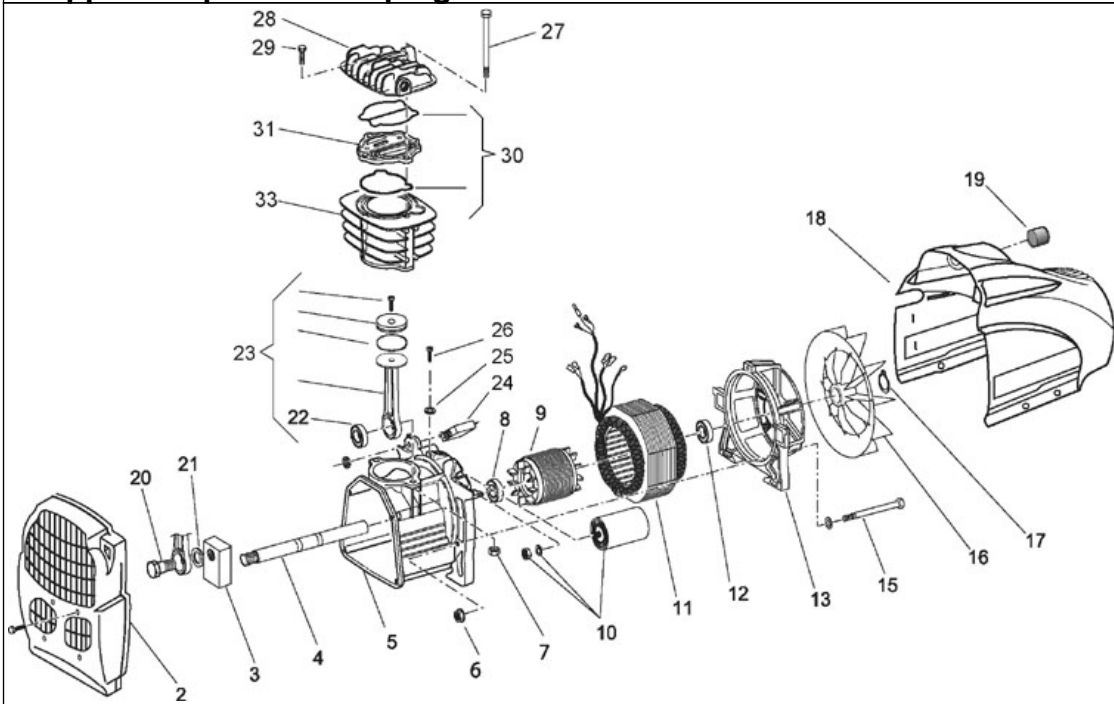




Codice Prodotto / Part No.:	<b>626HOA1604</b>
Modello / Model:	<b>CIAO 6/1850</b>
Raggruppamento / Groupage:	<b>Compressori / Compressors</b>
Famiglia / Family:	<b>a pistoni coassiali - senza olio / coaxial reciprocating - oilless</b>
Tipo / Type:	<b>0-100 lt</b>
Marchio / Brand:	<b>FINI</b>
V/Ph / Hz:	<b>230/1/50</b>
Validità / Validity:	<b>01/03/2010</b>

## Gruppo Pompante / Pumping units

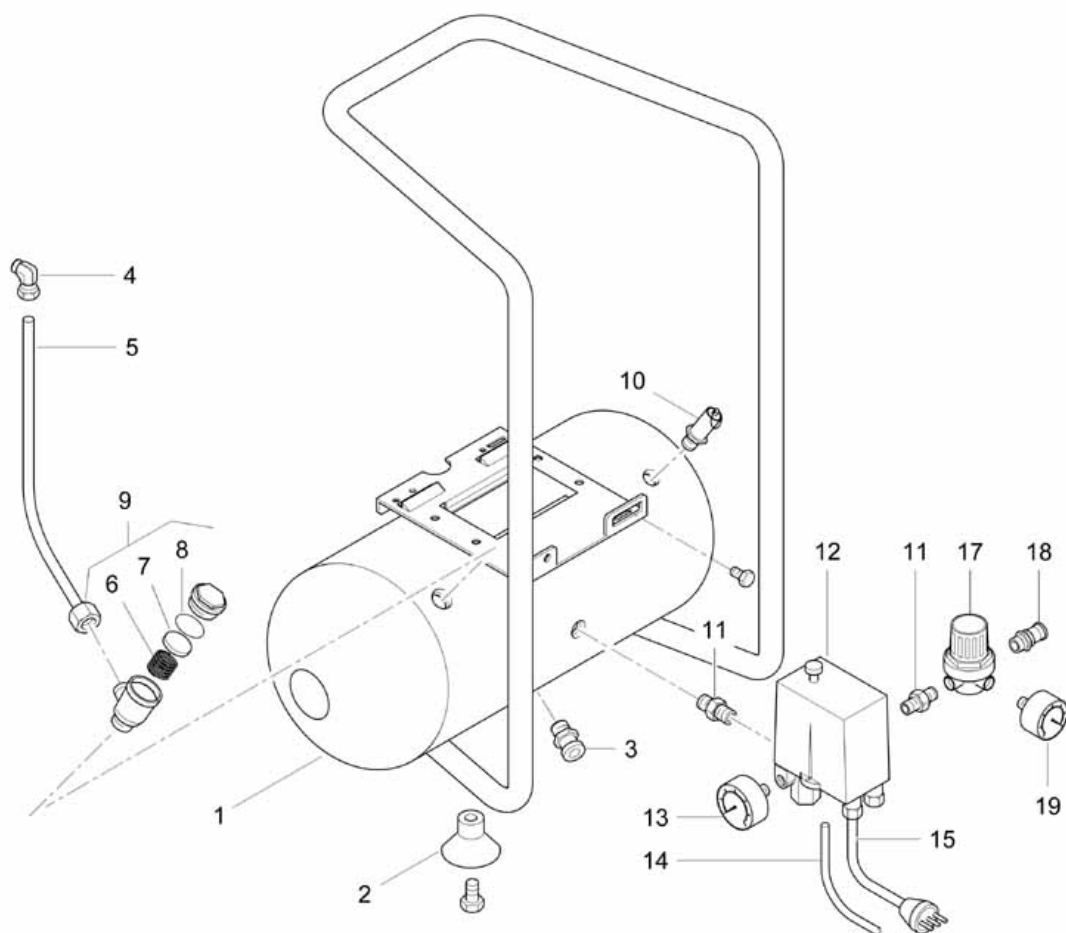


### Distinta / Spare parts lists

Rif / Ref	Codice / Code	Descrizione	Description	Q.tà / Q.ty	Cons. / Sugg.
2	116ZQ0002	CARENATURA ANT.OL1850	HOUSING OL1850	1	1
3	116ZQ0005	MANOVELLA OL1850	CRANK OL 1850	1	-
4	116ZQ0004	ALBERO OL1850	SHAFT OL 1850	1	-
5	116120006	CARTER FD2000	CASING FD2000	1	-
6	161190010	DADO FLANG.M5 ZINC.DIN6923	NUT M5 GALV.	3	-
7	014003018	DADO ESAG.M8 UNI5587-6S ZINC	NUT M8 5587 6S	2	-
8	033143000	CUSCINETTO 6303 C3 EC(.174714)		1	-
9	034139000	ROTORE 65X40-18 D17 CA SIL.	ROTOR 65X40-28	1	-
10	009200004	COND.FILM400/25 C8/D SEV	CAPACITOR 400/25 C8/D SEV	1	2
11	155412506	STATORE AVV.HP1,5MV 230/50SM (1256540)	WOUND STATOR HP1,5MV 230/50SM (1256540)	1	1
12	033118000	CUSCINETTO 6203-2Z- C3(174012)	BEARING 6203-2Z-C3	1	-
13	116120007	CALOTTA FD2000	COVER FD2000	1	-
15	014002122	VTE M5X80 UNI5737-8.8 ZINC.	SCREW M5X80 UNI5737-8.8	3	-
16	116120008	VENTOLA FD2000	FD2000 FAN	1	2
17	015083000	ANELLO SEEGER TIPO G16X1,5	SEEGER TIPO G16X1,5	1	-
18	116ZQ0001	CARENATURA POST.OL1850	HOUSING OL1850	1	1
19	116120017	ELEM.FILTR.FD2000	FD2000 FILTER CARTRIDGE	1	10
20	116HP0005	PERNO DI MANOVELLA OL185	PIN OL185	1	-
21	130203225	ROSETTA Ø 15,2X22X3 ZN.BIANCA	THEEZED WASHER 15,2X22X3	1	-
22	033055000	CUSCINETTO 6202-2RS (153511)	BEARING 6202-2RS	1	-
23	416HP0004	ASS.PISTONE-BIELLA OL185	COMPLETE PISTON OL185	1	2
24	008277000	MOTOPROT.MANUALE 5A OL185	OVERLOAD SWITCH 5A OL185	1	2
25	014008006	ROND.ELAST.SPACC.A4,3 UNI1751 ZINC.	SPLIT SPRING WASHER A4,3 UNI 1751	1	-
26	014013001	VITE M4X10 TAP-TITE ZINC.	SCREW M4X10 TAP-TITE ZINC.	1	-
27	014001076	VTE M8X105 8.8 F/RO ZINC. (NS.DIS)		2	-
28	116120015	TESTA FD2000(CT201) FIL.3/8	FD 2000 HEAD	1	-

29	014013031	VTE M6X35 UNI 8111 TT F/RO ZINC.	SCREW M6X35	2	-
30	216HO0001	KIT GUARNIZIONI OL1850	GASKETS SET OL 1850	1	2
31	116120100	PIASTRA PORTAVALV.CPL.FD2000	COMPLETE VALVE PLATE	1	2
33	116ZQ0003	CILINDRO OL1850	CYLINDER OL 1850	1	-

## Serbatoio aria / Air tank



### Distinta / Spare parts lists

Rif / Ref	Codice / Code	Descrizione	Description	Q.tà / Q.ty	Cons. / Sugg.
1	126HQ0010V	SERB.SALD.L6 SF2500/OL1850+MANICO		1	-
2	199968000	ANTIVIBR.CANYON OL200	VIBRATION DAMPER FOR CANYON	4	8
3	022029000	RUBIN.SCARICO CONDENSA 2001/2 G1/4 A.		1	2
4	011015000	RACC. L 3/8 TUBO 10X8 ZINCATO	L FITTING G3/8X10	1	-
5	168HQ0012	TUBO MANDATA CIAO6/OL1850 AL	DELIVERY TUBE CIAO6/OL1850 (CINA)	1	2
6	047113002	MOLLA CONICA V.R. G1/2X3/8 MF	TAPERED SPRING FOR NON-RETURN VALVE G1/2	1	-
7	047129002	ELEMENTO DI TENUTA V.R.3/8 *Q10*VITON		1	8
8	F99357000	OR 2068 NBR 70°SH	OR 2068 NBR 70°SH	1	-
9	347092000	VALV.RITEGNO 3/8X3/8MM VITON	CHECK VALVE 3/8X3/8MM	1	1
10	047206000	VALV.SIC.G1/4 T10 PED+ANELLO+CERT.IV CAT	SAFETY VALVE .G1/4 T10 PED	1	-
11	011017000	NIPPLO GC1/4X1/4 .GIALLO	NIPPLE GC1/4X1/4 BRASS	2	-
12	321028000	PRESS.4115/2 NEMA/P 4 VIE 1/4C/P BIP	PRESSURE SWITCH 4115/2 NEMA/P 4 VIE 1/4C	1	1
13	330004000	MANOM.50-12/8 BAR-PSI ATT.P.GC1/4	PRESSURE GAUGE 50-12/8 BAR-PSI ATT.P.GC1	1	4
14	046001000	TUBO 6X4 RILSAN CALIBRATO	RILSAN HOSE 6X4	0,3	-
15	164A04600	CAVO 3X1 SCHUKO H05 RRF DIR.CE	CABLE 3X1 SCHUKO H05 RRF CE	1	-
17	319218000	RIDUTT. PRESS.DARI (PIANA) RRU	PRESSURE REDUCER DARI (PLANE) RRU	1	1
18	322030000	RUBIN.2080/1 RAP. G1/4M UNIV. S/RESCA	QUICK TAP G1/4M ART. 22GAV	1	-
19	330006000	MANOM.3300/1 D.40 0-12 BAR- POST.1/8	PRESSURE GAUGE 40-12 BAR-PSI BACK COUP	1	4